

CFAK 18N1100

Capacitive proximity sensors - in direct media contact

Article number: 11001673

Overview

- 5 mm
- NPN make function (NO)
- no
- cable, 2 m
- -25 ... 75 °C
- IP 67/65 (sensing face/sensor)



Picture similar



Technical data

General data

Nominal sensing distance Sn	5 mm
Mounting type	Non-flush
GND electrode	No
Temperature drift	± 15 % (0 ... +70 °C)
Sensitivity adjustment	No
Output indicator	LED yellow
Measurement type	Contactless

Field of application

Detection of non-conductive media	Yes
Fill level detection through container	Yes
Liquids in direct contact	Yes
Object detection / bulk goods	Yes

Electrical data

Voltage supply range +Vs	10 ... 30 VDC
--------------------------	---------------

Electrical data

Current consumption max. (no load)	20 mA
Output circuit	NPN make function (NO)
Output current	< 200 mA
Voltage drop Vd	< 1.5 VDC
Switching frequency	50 Hz
Short circuit protection	Yes
Reverse polarity protection	Yes

Mechanical data

Type	Cylindrical threaded
Housing material	PBT
Dimension	18 mm
Housing length	63.5 mm
Connection types	Cable, L=2 m

Ambient conditions

Operating temperature	-25 ... +75 °C
Protection class	IP 67/65 (sensing face/sensor)

Remarks

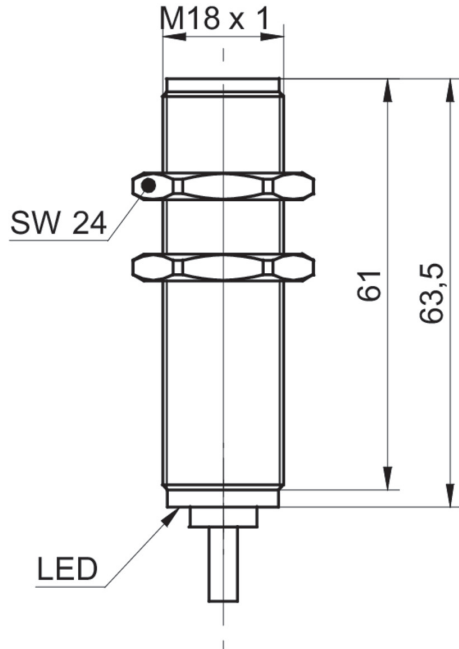
- EMC: EN 60947-5-2:2007+A1:2012

CFAK 18N1100

Capacitive proximity sensors - in direct media contact

Article number: 11001673

Dimension drawing



Connection diagram

