

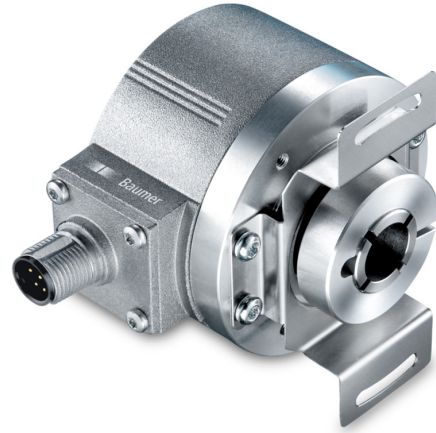
ExEIL580P-T

With through hollow shaft

每圈1至65536个脉冲·可编程(插值系统)

产品一览

- 尺寸 \varnothing 58 mm
- Precise optical sensing (interpolated)
- 输出信号电平可编程 (TTL 或 HTL)
- Through hollow shaft, \varnothing 8...15 mm
- Connection radial or tangential
- 每圈1...65536个脉冲,可编程
- 极强的抗冲击和抗振动性
- Option 0122, Explosion protection zone 22



技术数据

技术数据 – 电气参数

电源电压	4.75...30 VDC
反极性保护	是
短路保护	是
电流消耗 (无负载)	≤ 70 mA
初始化时间	≤ 30 ms (上电后)
每圈脉冲数	1 ... 65536
占空比	45...55 % (分辨率为1024和2048ppr时的典型值·详情参见占空比表格)
参考信号	零脉冲· 90° 或 180°
感应原理	光电
输出频率	≤ 300 kHz (TTL) ≤ 160 kHz (HTL)
输出信号	A+ · B+ · R+ · A- · B- · R-
输出方式	TTL/RS422 HTL/推挽式
可设置参数	输出电平TTL/HTL 脉冲数: 1...65536 零脉冲宽度: $90^\circ/180^\circ$ 零脉冲位置 信号序列
抗干扰性	EN 61000-6-2
辐射干扰	EN 61000-6-3

技术数据 – 机械参数

尺寸 (法兰)	$\varnothing 58$ mm
轴类型	$\varnothing 8...15$ mm (通孔型) $\varnothing 9.52$ mm (通孔型) $\varnothing 12.7$ mm (通孔型)
防护等级 (EN 60529)	IP 65
运行速度	≤ 6000 rpm (+20 °C) ≤ 4500 rpm (+40 °C) ≤ 2500 rpm (+60 °C)
启动转矩	$\leq 0,025$ Nm (+20 °C)
材质	外壳: 压铸铝 法兰: 铝
环境温度	-20...+60 °C
相对湿度	90% (不结露)
耐抗性	EN 60068-2-6 抗振动30 g · 10-2000 Hz EN 60068-2-27 抗冲击250 g · 6 ms
防爆认证	II 3 D Ex tc IIIc T135°C Dc X (粉尘): 特殊条件 "X"
连接	M12 法兰接头 · 8针 M23 法兰接头 · 12针 电缆
近似重量	300 g

ExEIL580P-T

With through hollow shaft

每圈1至65536个脉冲·可编程（插值系统）

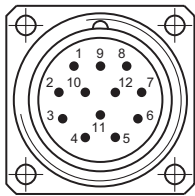
端子定义

Flange connector M23, 12-pin / cable

Pin	Core color	Assignment
1	pink	B-
2	—	—
3	blue	R+
4	red	R-
5	green	A+
6	yellow	A-
7	—	R-Set ¹⁾
8	grey	B+
9	—	—
10	white	GND
11	—	—
12	brown	UB

Screen: Connected to housing

Cable data: PUR, [4x2x0,14 mm²], bending radius >45,8 mm, outer diameter 6.1 mm



¹⁾ The R-Set input is used to set the reference pulse (zero pulse) on the current shaft position.
R-Set = UB ≥ 200 ms

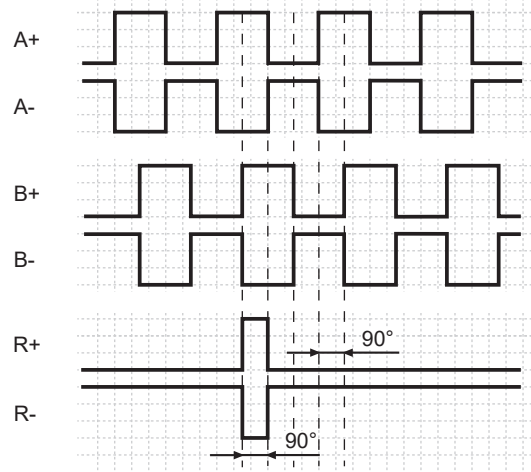
Flange connector M12, 8-pin

Pin	Assignment
1	GND
2	UB
3	A+
4	A-
5	B+
6	B-
7	R+
8	R-

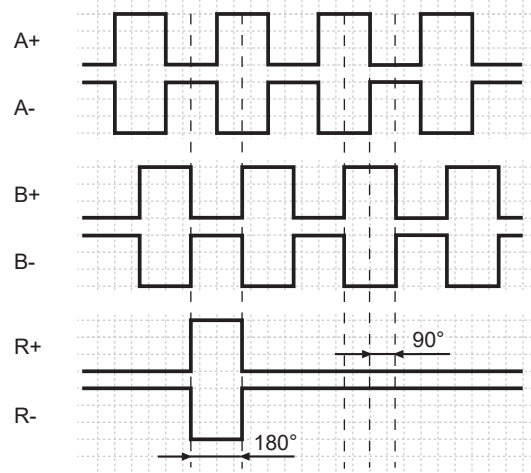


输出信号

Zero pulse electrical 90° A&B high
(Factory setting at clockwise rotation (CW)
in view of the encoder flange)



Zero pulse electrical 180° B low
(at clockwise rotation (CW)
in view of the encoder flange)



触发电平

Outputs	TTL/RS422
Output level High	≥2.5 V
Output level Low	≤0.5 V
Load	≤20 mA

Outputs	HTL/Push-pull
Output level High	≥UB -3 V
Output level Low	≤1.5 V
Load	≤20 mA

ExEIL580P-T

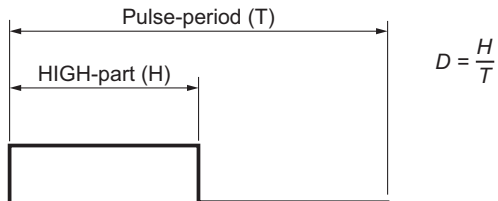
With through hollow shaft

每圈1至65536个脉冲·可编程（插值系统）

占空比

The duty cycle (D) is defined as the time ratio between the HIGH pulse duration (H) and the pulse period (T).

System-induced and depending on the pulse number, the measured values may vary which has an impact on speed and position acquisition. Binary pulse numbers are recommended for speed feedback.



Programmed pulse number	Scan ratio (D) (maximum)	Jitter (+/-) (maximum)
1...1023	45...55 %	5%
1024, 2048	45...55 %	5%
1025...5000	40...60 %	10%
8192, 16384	35...85 %	15%
5001...10000	22...78 %	28%
32768	25...75 %	25%
65536	15...85 %	35%
all other	Jitter[%]=(programmed pulse number -10000)*0,0007%+28%	

ExEIL580P-T

With through hollow shaft

每圈1至65536个脉冲·可编程（插值系统）

防爆认证

 II 3 D Ex tc IIIC T135°C Dc X (dust)

General- and Special conditions „X“:

Only put the device into operation if ...

- all necessary precautions have been taken by the operator to make sure device and connector are fully protected against mechanical impacts or shocks in compliance with EN 60079-0, section 26.4.2 (Special conditions „X“).
- the connection is mechanically or electrically secured to prevent any interrupt while the contact is live (Special conditions „X“).
- it has been ensured the electrical connection of product variants with cable outlet or cable couplings is outside zone 22 (Special conditions „X“).
- it has been ensured the maximum operating speed in relation to the ambient temperature is within the specifications on the table „Maximum rotation speed below“ (Special conditions „X“).
- the specifications on the product label match the on-site conditions for use in hazardous areas (EX) (device group, category, zone, temperature class resp. maximum surface temperature).
- the specifications on the product label comply with the prevailing grid conditions.
- the device shows no visible trace of damage (resulting from transport or storage), and
- it has been ensured no explosive atmosphere, oils, acids, gases, vapors, radiation etc. are present during installation.

Observe standard EN 60079-14 for installation and commissioning.

Device operation must observe the installation and operating instructions. The intended use and application of the device comes under the relevant legislation as well as applicable directives and standards.

Maximum rotation speed

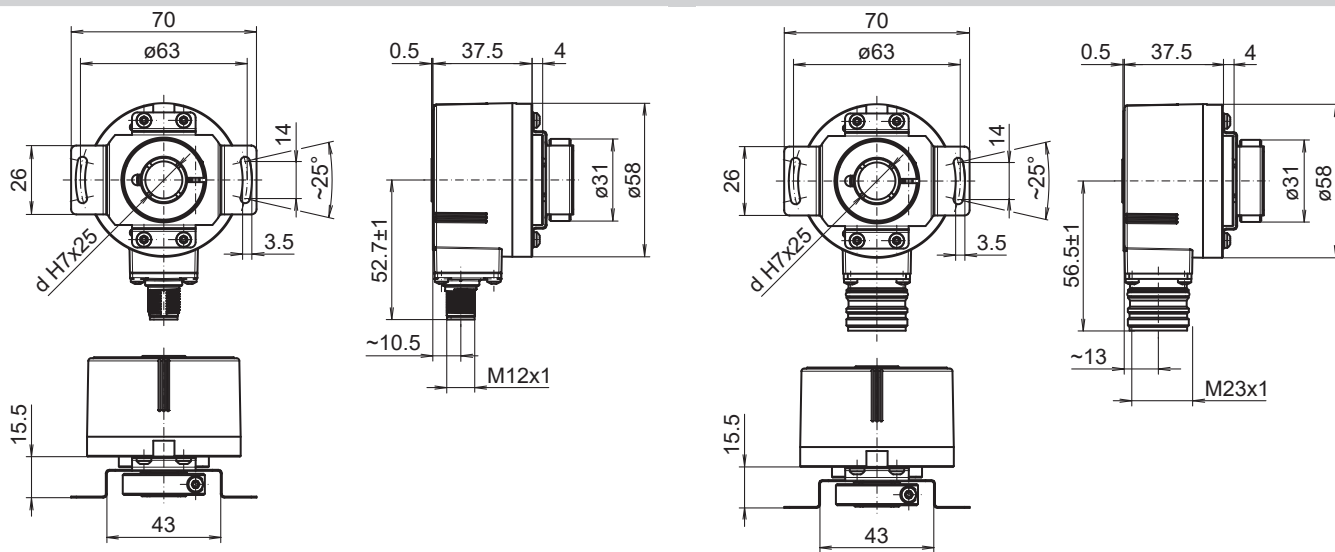
	ambient temperature	rotation speed
solid shaft	20 °C	≤ 12000 rpm
	40 °C	≤ 11000 rpm
	60 °C	≤ 8000 rpm
through hollow shaft	20 °C	≤ 6000 rpm
	40 °C	≤ 4500 rpm
	60 °C	≤ 2500 rpm
blind hollow shaft	20 °C	≤ 8000 rpm
	40 °C	≤ 8000 rpm
	60 °C	≤ 5000 rpm

ExEIL580P-T

With through hollow shaft

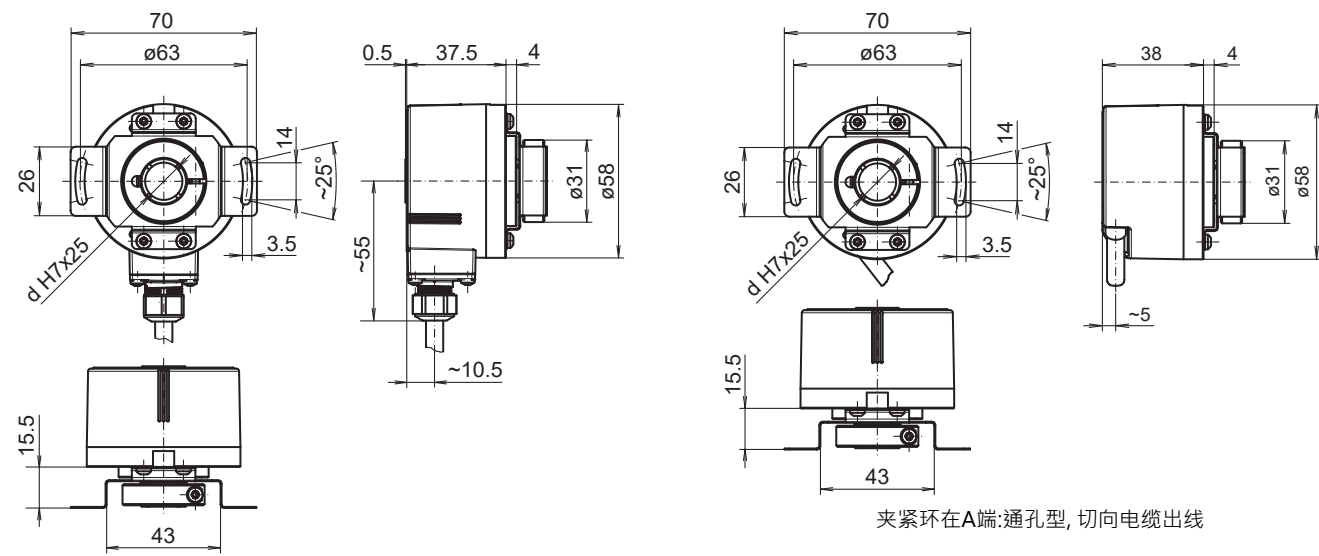
每圈1至65536个脉冲·可编程（插值系统）

尺寸



夹紧环在A端:通孔型, 径向M12接头

夹紧环在A端:通孔型, 径向M23接头



夹紧环在A端:通孔型, 径向电缆出线

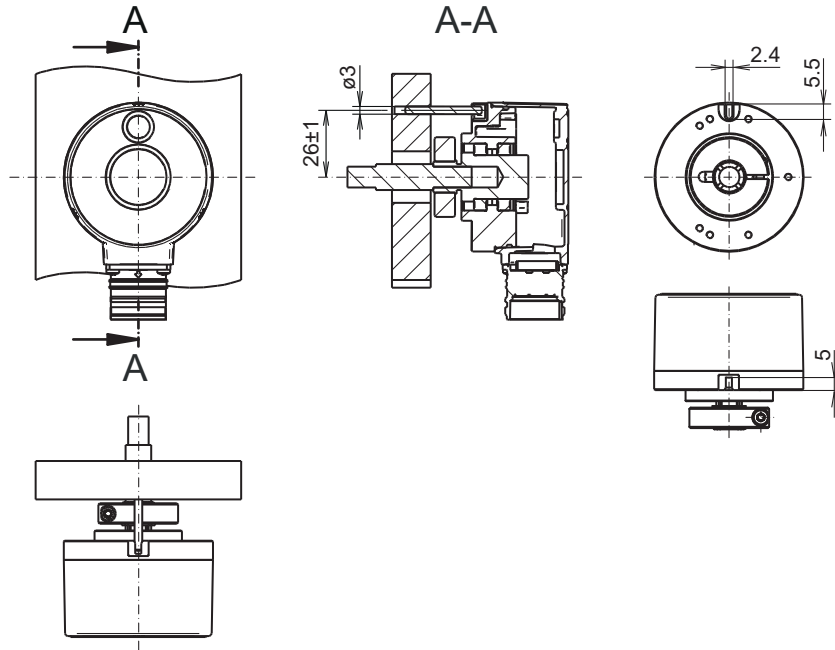
夹紧环在A端:通孔型, 切向电缆出线

ExEIL580P-T

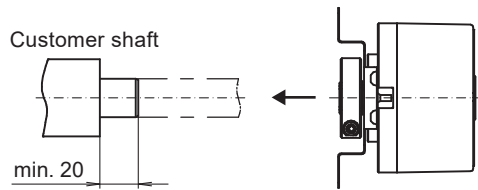
With through hollow shaft

每圈1至65536个脉冲·可编程（插值系统）

尺寸



P型法兰：力矩针·轴向·A面带夹紧环



夹紧环在A端:通孔型

ExEIL580P-T

With through hollow shaft

每圈1至65536个脉冲·可编程 (插值系统)

订货资料

	ExEIL580P	-	T	#	##	.	5	##	#	.	01024	.	F	/	0122
Product	ExEIL580P														
Shaft type	Through hollow shaft		T												
Flange (Hollow shaft)	Without stator coupling			N											
	With stator coupling ø63 mm			T											
	With stator coupling, 1-armed, hole circle ø63...94 mm, M4, mounting position 180°			M											
	Pin torque support 3 mm, axial/radial			P											
Through hollow shaft	ø8 mm, clamping ring, A-side														08
	ø3/8" (ø9.52 mm), clamping ring, A-side														U3
	ø10 mm, clamping ring, A-side														10
	ø12 mm, clamping ring, A-side														12
	ø1/2" (ø12.7 mm), clamping ring, A-side														U4
	ø14 mm, clamping ring, A-side														14
	ø15 mm, clamping ring, A-side														15
Protection class	IP 65														5
Connection	Cable radial, 1 m														R
	Cable radial, 2 m														L
	Flange socket radial, M23, 12-pin, male contacts, CCW														F
	Flange socket radial, M12, 8-pin, male contacts, CCW														B
	Cable tangential, 1 m														P
	Cable tangential, 2 m														Q
Voltage supply / output	4,75...30 VDC, TTL/RS422 6 channel (Vout=5V)														F
	4,75...30 VDC, HTL/push pull, 6 channel (Vout=Vin)														Q
Pulses programmable	1...65536 可编程 (工厂默认设定:1024)														01024
Operating temperature	-20...+60 °C														F
Optionen BT	ATEX Zone 22														

(出厂设置 : 1024 ppr · Vout = 5 VDC TTL · 信号序列A超前B (顺时针) · 零脉冲90° A和B高电平)

0122

ExEIL580P-T

With through hollow shaft

每圈1至65536个脉冲·可编程 (插值系统)

附件

安装附件

11066083	安装套件006
11073119	安装套件021
11067367	安装套件028
11100198	安装套件046
11113210	安装套件047
11124300	安装套件048
11155325	安装套件099
11106627	风扇罩夹子 8 mm
11094674	EIL580 (空心轴 \varnothing 8...10mm) 用夹紧环·尺寸为12/31/8 M3 8.8·A面或B面夹紧
11094675	EIL580 (空心轴 \varnothing 12...15 mm) 用夹紧环·尺寸为17/31/8 M3 8.8·A面夹紧
11116921	绝缘套筒 \varnothing 10 mm/ \varnothing 12 mm · 25 mm长
11116923	绝缘套筒 \varnothing 12 mm/ \varnothing 14 mm · 25 mm长

编程附件

11120657	手持式编程工具Z-PA-EI-H
11120547	PC编程工具 Z-PA-EI-P
11119280	连接电缆·M12接头 / D-SUB接头·0.2m
11119720	连接电缆·M12接头 / D-SUB接头·1 m
11119257	连接电缆·M23接头 (顺时针) / D-SUB接头·0.2m
11119723	连接电缆·M23接头 (顺时针) / D-SUB接头·1 m