

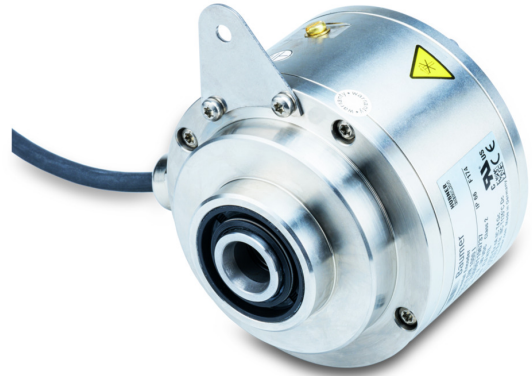
HOG 10 - stainless steel

Encoder made of stainless steel

Blind hollow shaft or cone shaft, 300...5000 pulses per revolution

Overview

- Housing made of stainless steel
- TTL output driver for cable length up to 550 m
- Very high resistance to shock and vibrations
- Hybrid bearing for extended service life



Technical data

Conformity

Voltage supply	9...30 VDC 5 VDC ±5 %
Consumption w/o load	≤100 mA
Pulses per revolution	300 ... 5000
Phase shift	90 ° ±20°
Duty cycle	40...60 %
Reference signal	Zero pulse, width 90°
Sensing method	Optical
Output frequency	≤120 kHz ≤300 kHz (on request)
Output signals	K1, K2, K0 + inverted
Output stages	HTL-P (power linedriver) TTL/RS422
Shaft insulation	Suitable up to 2.8 kV
Transmission length	≤350 m at 100 kHz (HTL-P) ≤550 m at 100 kHz (TTL)
Interference immunity	EN 61000-6-2
Emitted interference	EN 61000-6-3
Approval	CE UL approval / E217823

Technical data - mechanical design

Size (flange)	ø105 mm
Shaft type	ø16 mm (blind hollow shaft) ø17 mm (cone shaft 1:10)
Admitted shaft load	≤450 N axial ≤600 N radial

Technical data - mechanical design

Protection EN 60529	IP 66
Operating speed	≤6000 rpm (mechanical)
Operating torque typ.	6 Ncm
Rotor moment of inertia	360 gcm ²
Material	Housing: stainless steel Shaft: stainless steel
Operating temperature	-40...+80 °C (cable HEK 8 fixed) -20...+80 °C (cable HEK 8 moved) -40...+90 °C, UL up to +80 °C (cable ÖLFLEX) -40...+100 °C (terminal box) >3072 pulses: up to -25 °C
Resistance	IEC 60068-2-6 Vibration 15 g, 10-2000 Hz IEC 60068-2-27 Shock 200 g, 6 ms
Corrosion protection	IEC 60068-2-52 Salt mist for ambient conditions CX (C5-M) according to ISO 12944-2
Explosion protection	II 3 G Ex ec IIC T4 Gc (gas) II 3 D Ex tc IIIC T135°C Dc (dust) (only with option ATEX)
Connection	Cable HEK 8 Cable ÖLFLEX 2 m Terminal box
Weight approx.	3.2 kg (HEK8/ÖLFLEX without cable) 3.9 kg (terminal box)

HOG 10 - stainless steel

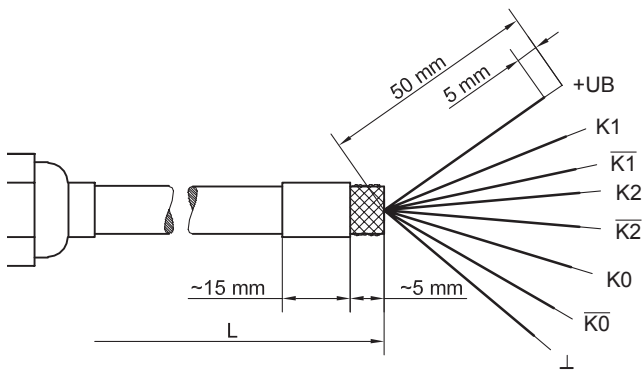
Encoder made of stainless steel

Blind hollow shaft or cone shaft, 300...5000 pulses per revolution

Terminal assignment

With sensor cable HEK 8

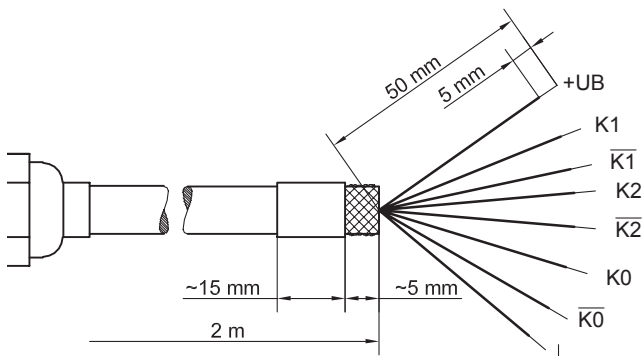
Wire colour	Assignment	Core cross-section
Red	+UB	0,5 mm ²
White	K1	0,25 mm ²
Brown	$\overline{K1}$	0,25 mm ²
Green	K2	0,25 mm ²
Yellow	$\overline{K2}$	0,25 mm ²
Grey	K0	0,25 mm ²
Pink	$\overline{K0}$	0,25 mm ²
Blue	⊥	0,5 mm ²



L = Cable length

With cable ÖLFLEX

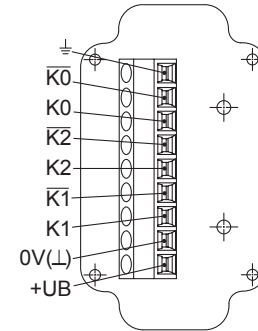
Wire colour	Assignment	Core cross-section
Brown	+UB	1 mm ²
Brown	K1	0,25 mm ²
Green	$\overline{K1}$	0,25 mm ²
Grey	K2	0,25 mm ²
Pink	$\overline{K2}$	0,25 mm ²
Red	K0	0,25 mm ²
Black	$\overline{K0}$	0,25 mm ²
White	⊥	1 mm ²



Terminal assignment

View A (see dimension)

Connecting terminal terminal box, radial



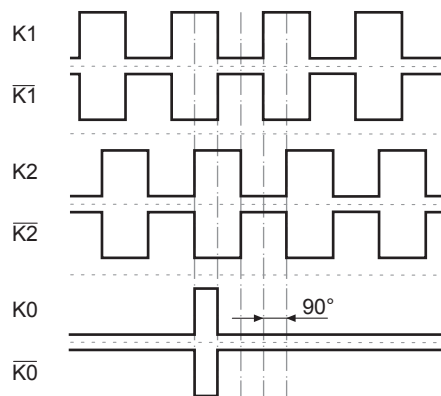
Terminal significance

+UB	Voltage supply
0V (⊥)	Ground
⊥	Earth ground (housing)
K1	Output signal channel 1
$\overline{K1}$	Output signal channel 1 inverted
K2	Output signal channel 2 (offset by 90° to channel 1)
$\overline{K2}$	Output signal channel 2 inverted
K0	Zero pulse (reference signal)
$\overline{K0}$	Zero pulse inverted

Output signals

HTL/TTL

At positive rotating direction (see dimension)

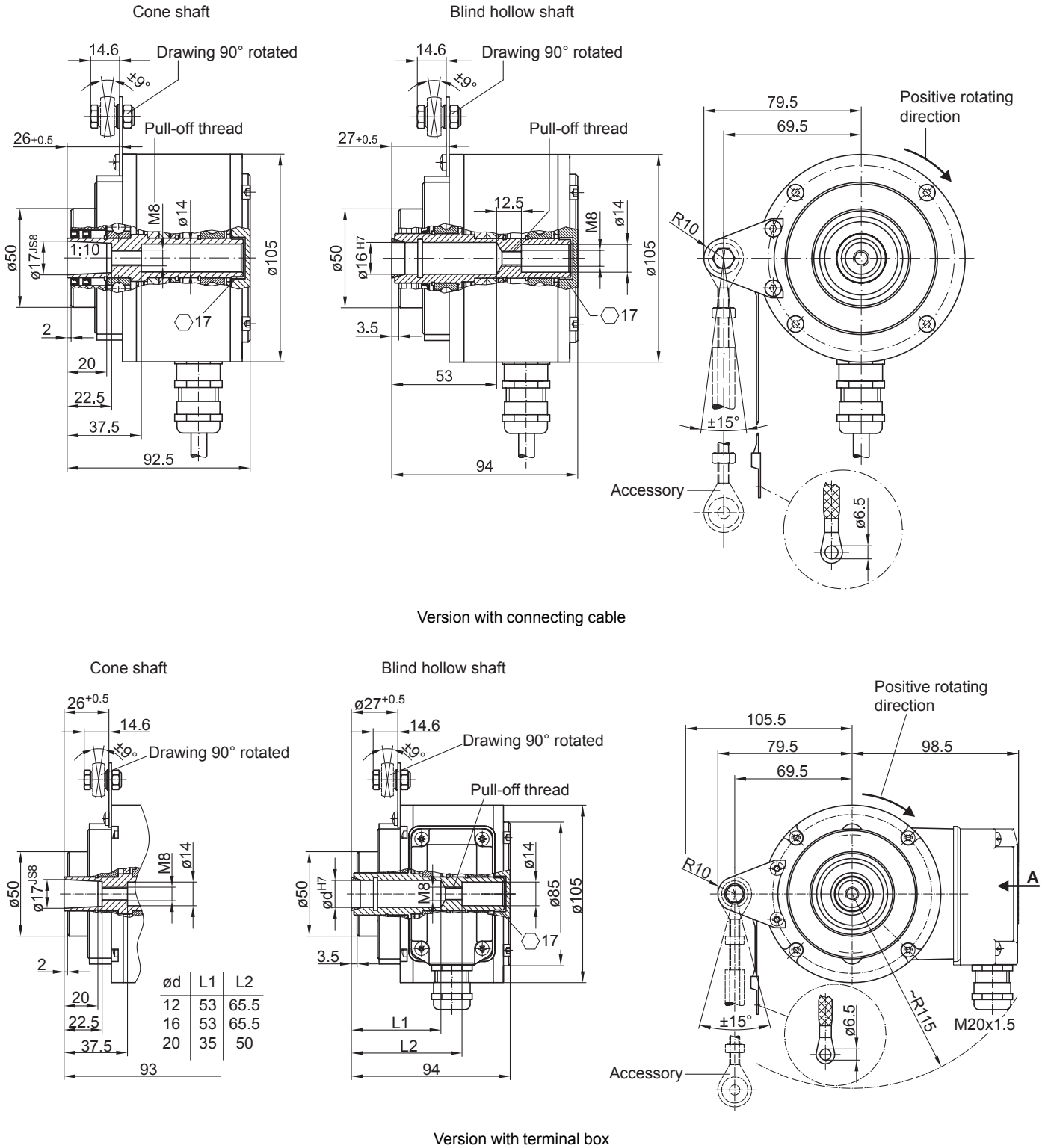


HOG 10 - stainless steel

Encoder made of stainless steel

Blind hollow shaft or cone shaft, 300...5000 pulses per revolution

Dimensions



HOG 10 - stainless steel

Encoder made of stainless steel

Blind hollow shaft or cone shaft, 300...5000 pulses per revolution

Ordering reference

	HOG10	DN	####	###	SR	#####	Niro	#####
Product	Incremental encoder	HOG10						
Output signals	K1, K2, K0	DN						
Pulse number								
	300		300					
	500		500					
	512		512					
	1000		1000					
	1024		1024					
	1200		1200					
	2048		2048					
	2500		2500					
	3072		3072					
	4096		4096					
	5000		5000					
Voltage supply / output stage								
	9...30 VDC / output stage HTL with inverted signals				I			
	5 VDC / output stage TTL with inverted signals				TTL			
	9...30 VDC / output stage TTL with inverted signals				R			
Sealing system								
	Damp protection				SR			
Shaft diameter								
	Blind hollow shaft \varnothing 16 mm					16H7		
	Cone shaft \varnothing 17 mm (1:10)					17K		
Material								
	Stainless steel						Niro	
Connection								
	Sensor cable HEK 8, length 2 m							KAB HEK8 2m
	Sensor cable HEK 8, length 3 m							KAB HEK8 3m
	Sensor cable HEK 8, length 10 m							KAB HEK8 10m
	Sensor cable HEK 8, length 16 m							KAB HEK8 16m
	Sensor cable HEK 8, length 20 m							KAB HEK8 20m
	Connecting cable ÖLFLEX, length 2 m							KAB PVC 2m
	Terminal box, radial							KLK

Accessories
Mounting accessories

11054918	Torque arm M6 stainless, length 67...70 mm
11072787	Torque arm M6 stainless, length 120...130 mm (\geq 71 mm)
11072737	Torque arm M6 stainless, length 425...460 mm (\geq 131 mm)
11077197	Mounting kit for torque arm size M6 and earthing strap
11077087	Mounting and dismantling set

Diagnostic accessories

11075858	Analyzer for encoders HENQ 1100
11075880	Analyzer for encoders HENQ 1100 B