

# Off-highway long range ultrasonic sensor.

## Designed for reliability

Ultrasonic sensors are the technology of choice in agricultural and off-highway machinery for distance measurement applications and allow for robust, non-contact measurement. Baumer ultrasonic sensor technology and designed for reliability improves end customer uptime and productivity. The proven Baumer design and full industry compliance reduce R&D cost and time to market.

- High reliability design tested according to the highest off-highway industry standards
- HeavyDuty connector
- Rectangular flat back-side mounting
- Platform incorporates over 30 years ultrasonic sensor know-how
- Best in class measurement performance
- Ideal platform for customer specific developments. On request CAN, 12/24V vehicle power supply, multi-target data acquisition are possible



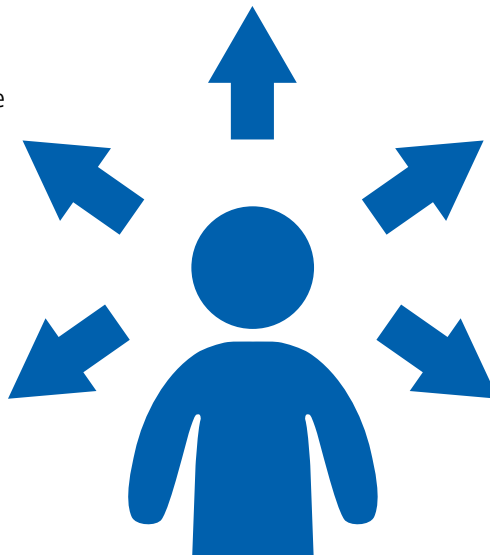
Simple and easy design in due to full industry compliance (EN ISO 14982, ISO 15003 Sec 5.13, ISO 13766, EN 13309, EN 60947-5-7)

Superior blind range of 100 mm due to unique two transducer design

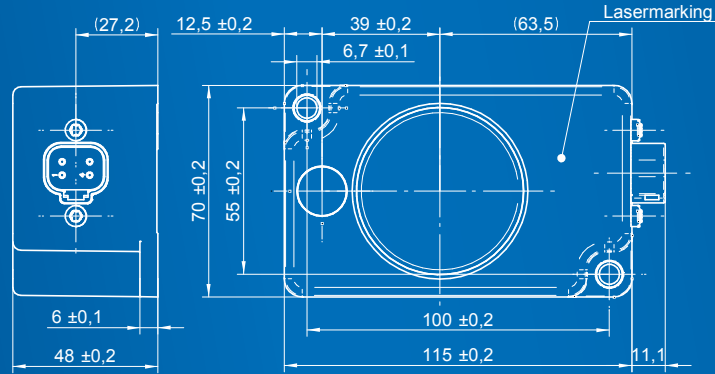
High reliability design reduces sensor fails and warranty issues

Platform supports measurement distances up to 6000 mm depending on application (customer specific developments only)

Industry typical connectors reduce likelihood of connector failures

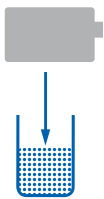


# Product overview U750



Part number	Electrical specification	Mechanical interface	Ambient conditions	Output function
U750.DB5-UA1Z.93D/E005 (for continuous fill level applications)	Supply voltage: 4.8 V ... 5.2 V Supply current (Avg): ≤ 120 mA Output load: ≥ 10 kOhm / ≤ 0.1 μF	Automotive grade rectangular plastic housing 115 × 70 × 48 mm (without connector) Mating Connector: DEUTSCH DT06-4S	Storage temperature: −40 °C ... +85 °C Operating temperature: −20 °C ... +70 °C	Sensing range: 100 mm ... 2300 mm Output voltage: 0.5 V ± 0.1 V (@100 mm ± 5 mm) to 4.5 V ± 0.1 V (@2300 mm ± 5 mm) Diagnostic: 0.15 V ... 0.35 V

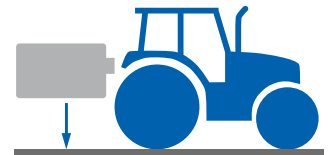
## Some application fields for Baumer long range ultrasonic sensor.



Continuous fill level  
(e. g. combine grain tank)



Boom height control (multi target output possible) / customer specific projects



Distance to ground / customer specific projects



Passion for Sensors

Baumer Group  
International Sales  
P.O. Box · Hummelstrasse 17 · CH-8501 Frauenfeld  
Phone +41 (0)52 728 1122 · Fax +41 (0)52 728 1144  
sales@baumer.com · www.baumer.com

Learn more about the Baumer ultrasonic sensors  
at [www.baumer.com](http://www.baumer.com)

Find your local partner: [www.baumer.com/worldwide](http://www.baumer.com/worldwide)