

Overview

- Voltage input up to 600 V AC/DC
- Current input up to 5 A AC/DC
- Display range can be linearised
- LED display, 4-digits, programmable
- DIN housing 96 x 48 mm



Technical data

Technical data - electrical ratings

Voltage supply	20...265 VAC 12...265 VDC
Nominal frequency	50 / 60 Hz
Power consumption	3 W
Display	LED, 7-segment display (with 100 unit stickers for front)
Display color	1 color - red
Number of digits	4-digits
Digit height	14 mm 20 mm
Display range	-1999...9999 ("OuE" to signal overflow)
Display refresh	50 ms
Function	Digital display of 1 analog measured value
A/D transformer	Principle $\Sigma\Delta$ Resolution 16 bit Measuring rate 20/s Measuring accuracy $\pm(0.1\% +3\text{-digit})$ Temp. coeff. 100 ppm/ $^{\circ}\text{C}$
Analog input	Current or voltage input
Programmable parameters	Measuring range Display range can be linearised Decimal point Relay outputs with time delay or hysteresis
Limits	Without
Inputs	Voltage up to 600 V AC/DC Current up to 5 A AC/DC

Technical data - electrical ratings

Data memory	>10 years in EEPROM
Analog output	Without
Outputs relay	Without
Standard DIN EN 61010-1	ISO 16750-2 (Electrical loads)
Emitted interference	EN 61000-6-3
Interference immunity	EN 61000-6-2

Technical data - mechanical design

Ambient temperature	-10...+60 $^{\circ}\text{C}$
Storage temperature	-25...+85 $^{\circ}\text{C}$
Relative humidity	95 % non-condensing
Connection	Spring-loaded terminal connector, detachable
Core cross-section	1 mm ² (Grid 5.08) 2.5 mm ² (Grid 7.62)
Protection EN 60529	IP 65 (face)
Operation / keypad	Membrane with softkeys
Housing type	Built-in housing
Dimensions W x H x L	1/8 DIN 96 x 48 x 96 mm
Cutout dimensions	92 x 45 mm (+0.3)
Mounting depth	83 mm
Mounting type	Front panel installation by clip frame
Weight approx.	250 g
Material	Housing: Polycarbonate, UL 94V-0

Inputs and outputs

Analog input

Input	Range	Resolution	Accuracy	Specification
Current AC and DC	1 A	50 μ A	± 0.1 % (+5 mA)	Input resistance 0.07 Ω
	5 A	200 μ A	± 0.1 % (+20 mA)	Input resistance 0.014 Ω
	Shunt 60 mV	5 μ V	± 0.1 % (+300 μ V)	Input resistance 2.5 k Ω
	Shunt 100 mV	10 μ V	± 0.1 % (+300 μ V)	Input resistance 2.5 k Ω
Voltage AC	20 V	1 mV	± 0.1 % (+30 mV)	Input resistance 0.1 M Ω
	200 V	10 mV	± 0.25 % (+300 mV)	Input resistance 1 M Ω
	600 V	25 mV	± 0.35 % (+0.9 V)	Input resistance 3 M Ω
Voltage DC	20 V	1 mV	± 0.05 % (+25 mV)	Input resistance 0.1 M Ω
	200 V	10 mV	± 0.05 % (+250 mV)	Input resistance 1 M Ω
	600 V	25 mV	± 0.05 % (+0.7 V)	Input resistance 3 M Ω

Alternating current (AC): signal max. 1 kHz

Terminal assignment

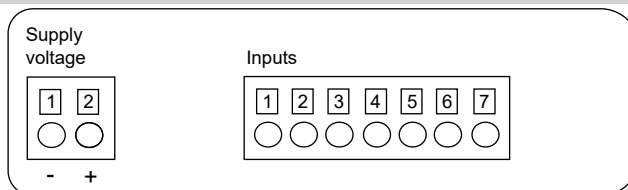
Voltage supply

Pin	Assignment
1	Voltage supply -
2	Voltage supply +

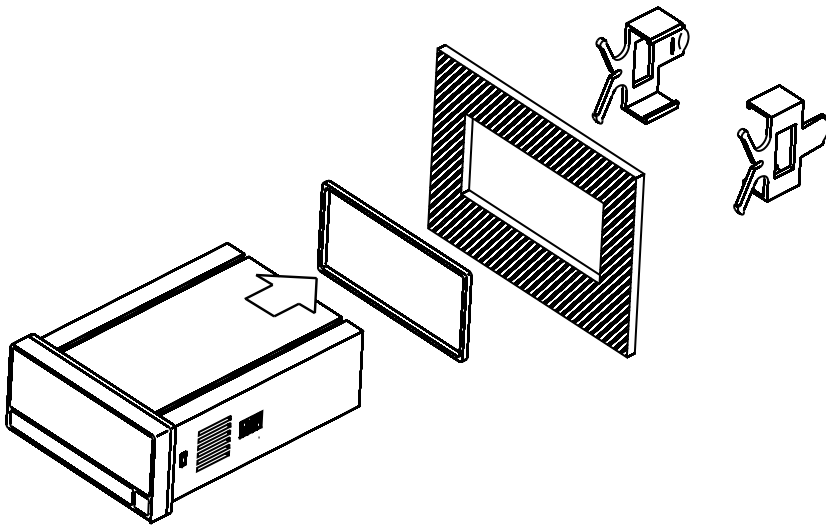
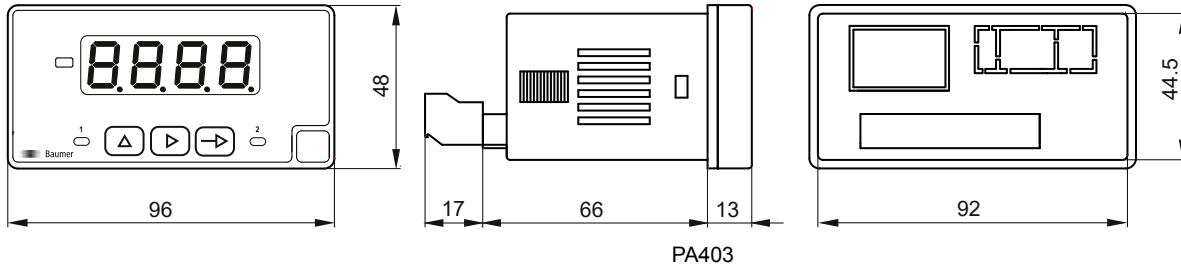
Analog inputs

Pin	Assignment
1	Common 0 V
2	Current max. 5 A
3	Current max. 1 A
4	Shunt max. 100 mV
5	Voltage max. 20 V
6	Voltage max. 200 V
7	Voltage max. 600 V

Connection diagram



Dimensions



Clip frame mounting