

Overview

- Revolution counter
- Adding
- Display 7-digits
- Reset by key



Technical data

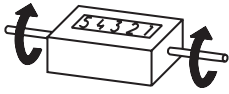
Technical data - mechanical design

| | |
|------------------|---|
| Function | Revolution counter |
| Display | White numbers on black |
| Number of digits | 7-digits |
| Digit height | 7 mm |
| Zero setting | Key reset by detachable key either at left or right shaft. |
| Count mode | Adding in a rotational direction to be indicated, subtracting in reverse direction or always adding. 1 rev. = 1 count |
| Drive shaft | Both sides, $\varnothing 7$ mm |
| Operating speed | ≤ 1000 rpm |

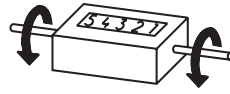
Technical data - mechanical design

| | |
|---------------------------|---|
| Measuring range | 9 999 999 |
| Ambient temperature | 0...+60 °C |
| Housing type | Surface mount housing with mounting plate |
| Housing colour | Grey |
| Dimensions W x H x L | 106 x 64 x 45 mm |
| Dimensions mounting plate | 120 x 64 mm |
| Mounting type | Base plate, 4 long mounting holes |
| Weight approx. | 350 g |
| Material | Housing: Hostaform POM, grey Base plate: steel zinc-coated |

Direction of strokes and rotation

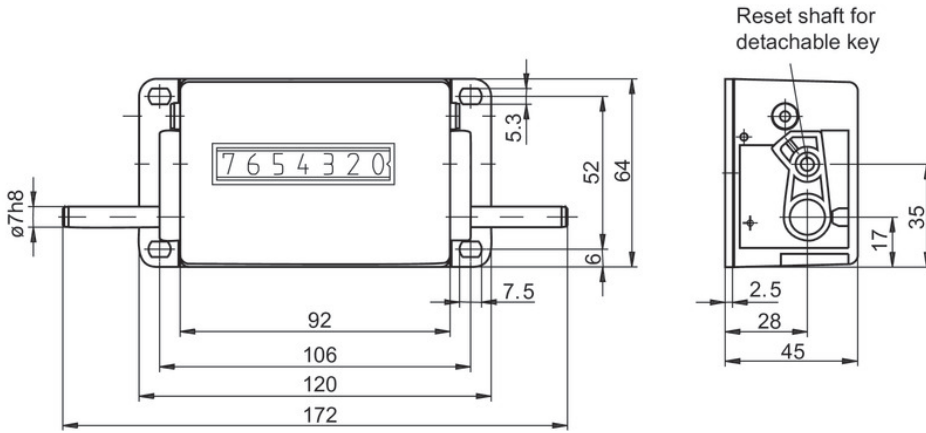


Away from user
Direction of rotation or
stroke direction I



Towards user
Direction of rotation or
stroke direction II

Dimensions



Ordering reference

| | U 400. | ### | A | 05 | # |
|---|--------|-----|---|----|---|
| Product | U 400. | | | | |
| Count mode | | | | | |
| Adding in a rotational direction to be indicated, subtracting in reverse direction only first digit down to 0 | | 010 | | | |
| Adding - subtracting | | 020 | | | |
| Housing | | | | | |
| Grey, cable 0.3 m / without precontact / mounting plate 60 x 62 mm | | | A | | |
| Count mode / drive | | | | | |
| 1 revolution = 10 digits / drive shaft on both sides | | | | 05 | |
| Display / direction of rotation | | | | | |
| 7-digits 9999999 / I | | | | | C |
| 7-digits 9999999 / II | | | | | D |