

Overview

- switchable
- 24 mm
- < 40 mm
- pulsed infrared diode
- PNP
- Teach-in
- connector M8 4 pin
- 55 °C
- IP 67



Picture similar



Technical data

General data

Type	Switchable
Measuring field size	24 mm
Measuring distance (to object)	< 40 mm
Measuring frequency	4000 Hz
Resolution	< 0.1 mm
Smallest object recognizable	0.5 mm
Hysteresis	0.4 mm
Power on indication	LED green
Light source	Pulsed infrared diode
Wave length	880 nm
Adjustment	Teach-in

Electrical data

Response time	< 0.25 ms
Output pulse length	10 ms
Voltage supply range +Vs	12 ... 28 VDC

Electrical data

Current consumption max. (no load)	120 mA
Output circuit	PNP
Output function	Light / dark operate
Output current	< 100 mA
Voltage drop Vd	< 2.2 VDC
Reverse polarity protection	Yes, Vs to GND
Short circuit protection	Yes

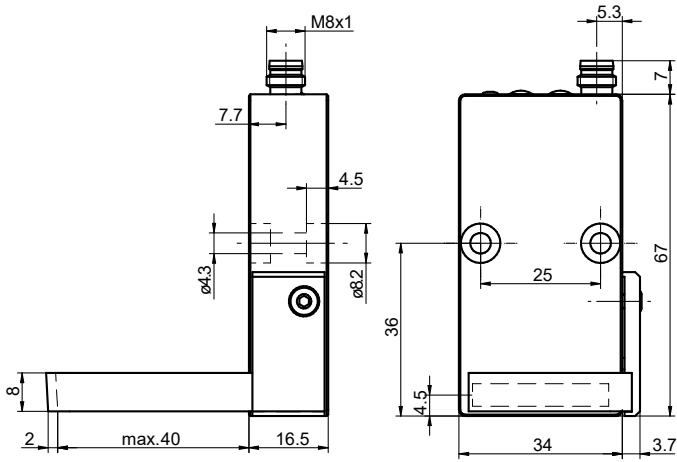
Mechanical data

Width / diameter	34 mm
Type	Rectangular, side view
Housing material	Aluminum
Front (optics)	Glass
Connection types	Connector M8 4 pin

Ambient conditions

Operating temperature	0 ... +55 °C
Protection class	IP 67

Dimension drawing



Connection diagram

