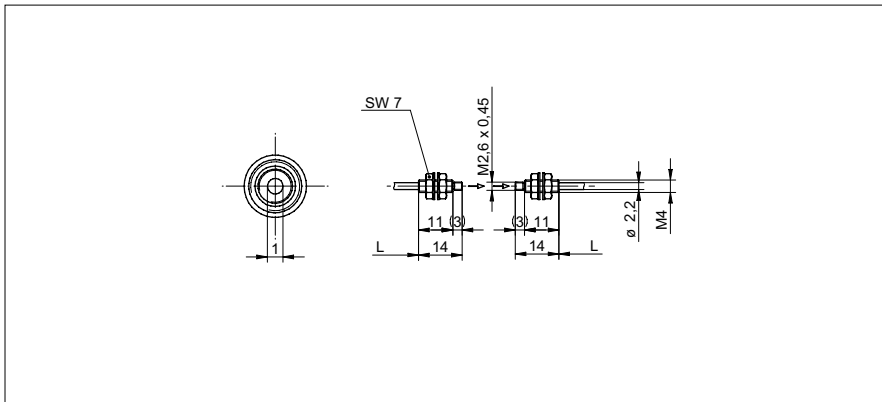


**Through beam fiber optics**

**FSA 200C1Y00**

**dimension drawing**



**general data**

particular characteristics	heat resistant
type	through beam sensor
actual range Sb	690 mm
response time / release time	0,05 ... 5 ms
type of head (fiber optic cable)	cylindrical threaded (axial)
width / diameter (head)	4 mm
height / length (head)	14 mm
material (head)	stainless steel
bending radius	25 mm
cable jacket diameter	2,2 mm
material cable jacket	PE
material (fiber optic cable)	plastic
length (fiber optic cable)	2000 mm
operating temperature	-30 ... +105 °C

**photo**



Sensing distance/response time:

For the definitive sensing distance/response time please see table below "fitting fiber optic sensors".



fitting fiber optic sensors	actual range Sb (0,05 ms)	actual range Sb (0,25 ms)	actual range Sb (1 ms)	actual range Sb (5 ms)
FVDK 67 (standard version)	115 mm (HS)	-	460 mm (nL)	690 mm (HP)
FVDK 67 (2 adjustable outputs)	115 mm (HS)	-	460 mm (nL)	690 mm (HP)
FVDK 67 (master/slave)	115 mm (HS)	-	60 mm (nL)	690 mm (HP)
FVDK 66 (standard version)	-	140 mm (FT)	240 mm (nL)	-
FVDK 66 (master/slave)	-	140 mm (FT)	240 mm (nL)	-
FVDK 22	-	-	210 mm (nL)	-
FVDK 12	-	-	210 mm (nL)	-
FVDK 12 (fast version)	198 mm (HS)	-	-	-
FVDK 10	-	-	100 mm (nL)	-
FWDK 84 (analog output)	-	-	60 mm (nL)	-

operating modes  
 HS High Speed  
 FT fast  
 nL Standard  
 HP High Sensitivity