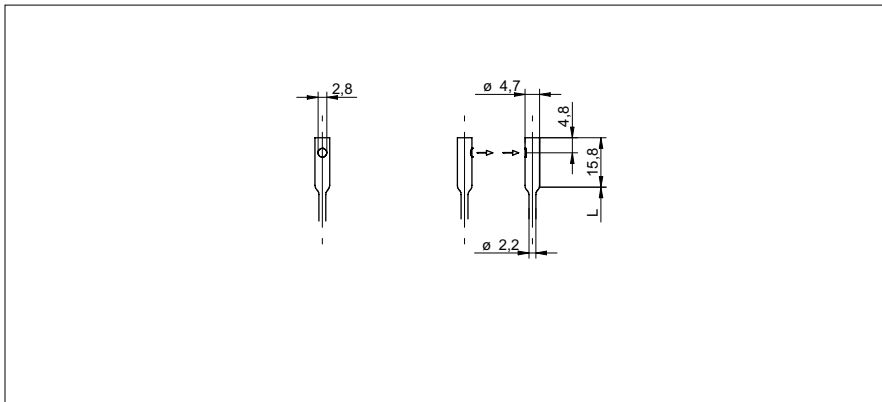


Through beam fiber optics

FSC 200C4Y00

dimension drawing



general data

particular characteristics	side view
type	through beam sensor
actual range Sb	1030 mm
response time / release time	0,05 ... 5 ms
type of head (fiber optic cable)	cylindrical smooth (radial)
width / diameter (head)	4,7 mm
height / length (head)	15,8 mm
material (head)	stainless steel
bending radius	20 mm
cable jacket diameter	2,2 mm
material cable jacket	PFA (chemically resistant)
material (fiber optic cable)	plastic
length (fiber optic cable)	2000 mm
operating temperature	-30 ... +70 °C

photo



Sensing distance/response time:

For the definitive sensing distance/response time please see table below "fitting fiber optic sensors".



- For use in chemically aggressive environments. Fiber optic sensor is fully sheathed in PFA.

fitting fiber optic sensors	actual range Sb (0,05 ms)	actual range Sb (0,25 ms)	actual range Sb (1 ms)	actual range Sb (5 ms)
FVDK 67 (standard version)	170 mm (HS)	-	690 mm (nL)	1030 mm (HP)
FVDK 67 (2 adjustable outputs)	170 mm (HS)	-	690 mm (nL)	1030 mm (HP)
FVDK 67 (master/slave)	170 mm (HS)	-	690 mm (nL)	1030 mm (HP)
FVDK 66 (standard version)	-	210 mm (FT)	350 mm (nL)	-
FVDK 66 (master/slave)	-	210 mm (FT)	350 mm (nL)	-
FVDK 22	-	-	270 mm (nL)	-
FVDK 12	-	-	270 mm (nL)	-
FVDK 12 (fast version)	254 mm (HS)	-	-	-
FVDK 10	-	-	120 mm (nL)	-
FWDK 84 (analog output)	-	-	75 mm (nL)	-

operating modes
 HS High Speed
 FT fast
 nL Standard
 HP High Sensitivity