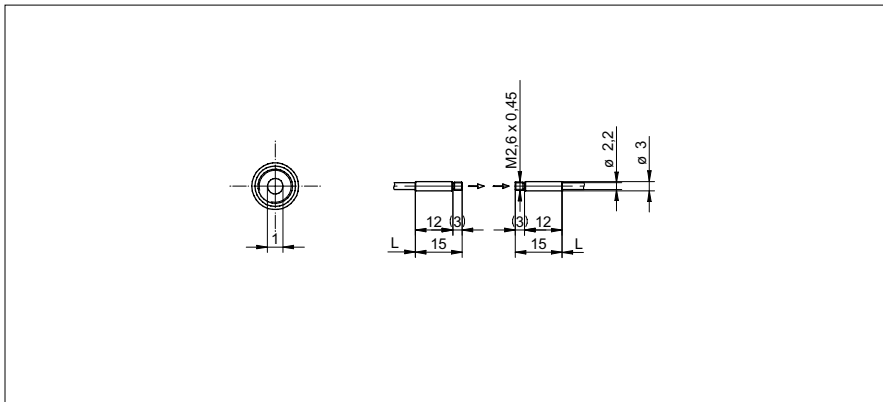


Through beam fiber optics

FSE 200C2Y00

dimension drawing



general data

particular characteristics	standard
type	short sensing head
actual range Sb	1200 mm
response time / release time	0,05 ... 5 ms
type of head (fiber optic cable)	cylindrical smooth (axial)
width / diameter (head)	3 mm
height / length (head)	15 mm
material (head)	stainless steel
bending radius	20 mm
cable jacket diameter	2,2 mm
material cable jacket	PE
material (fiber optic cable)	plastic
length (fiber optic cable)	2000 mm
operating temperature	-30 ... +70 °C

photo



Sensing distance/response time:
For the definitive sensing distance/response time please see table below "fitting fiber optic sensors".



fitting fiber optic sensors	actual range Sb (0,05 ms)	actual range Sb (0,25 ms)	actual range Sb (1 ms)	actual range Sb (5 ms)
FVDK 67 (standard version)	200 mm (HS)	-	800 mm (nL)	1200 mm (HP)
FVDK 67 (2 adjustable outputs)	200 mm (HS)	-	800 mm (nL)	1200 mm (HP)
FVDK 67 (master/slave)	200 mm (HS)	-	800 mm (nL)	1200 mm (HP)
FVDK 66 (standard version)	-	240 mm (FT)	410 mm (nL)	-
FVDK 66 (master/slave)	-	240 mm (FT)	410 mm (nL)	-
FVDK 22	-	-	100 mm (nL)	-
FVDK 12	-	-	100 mm (nL)	-
FVDK 12 (fast version)	94 mm (HS)	-	-	-
FVDK 10	-	-	160 mm (nL)	-
FWDK 84 (analog output)	-	-	90 mm (nL)	-

operating modes
HS High Speed
FT fast
nL Standard
HP High Sensitivity