



Baumer

Passion for Sensors

VisiLine[®] IP

Industrial cameras for robotics



Fully protected against harsh environmental conditions.

VisiLine® IP cameras are especially designed for applications in the field of robotics. They are up to the demanding industry requirements such as long-term stable precision in image acquisition, high integration flexibility and absolute reliability in operation.

The camera design with IP 65/67 protection tolerates shocks and vibration and withstands harsh environments. Standardized interfaces allow for simple and cost-efficient implementation in robotic systems.

Precise positioning

Centered optical axis and stable sensor position

IP protective housing

IP 65/67 protection and a mere 220 g in weight

Flexible integration

Square housing with M3 mount on all sides



Easy adaptation
Modular IP lens protection

Reliable in operation

Opto-decoupled inputs and outputs with automation voltage levels

Cost-efficient single-cable solution

IP 67 Ethernet cable for robotics with PoE up to 100 m in length

VisiLine® IP

- Resolutions from VGA to 4 megapixel
- Standard M12 connector
- Voltage supply 12 V, 24 V or PoE
- HDR, Multi I/O, Process interface
- Vibration 10 g, Shocks 100 g



More than just cameras: From the planning stage to implementation.



Absolute planning flexibility – whatever the application.

Different CCD and CMOS sensor resolutions in square housing designs, all with the same centered optical axis

Prepared for the future by compliance to standards.

The GenICam and GigE Vision® compliant cameras feature standardized connectors with x-encoding for quick integration

Easy installation and matching accessories.

Voltage supply 12/24V or as single-cable solution with PoE, GigE Switch or PCIe interface card with PoE, robotics Ethernet cable and modular IP lens protection

Precision and repeat accuracy in operation.

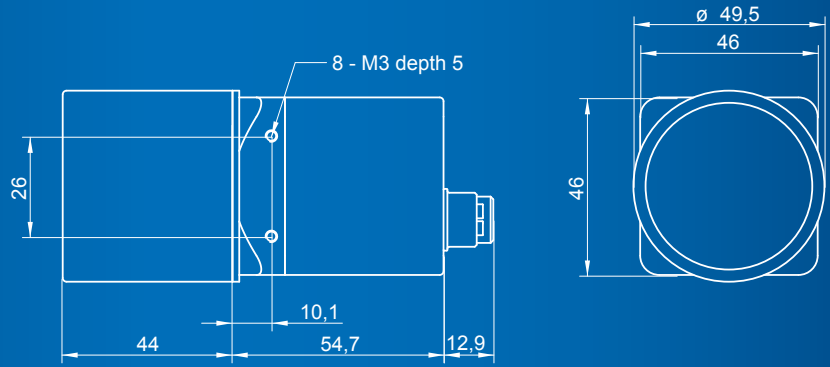
Absolutely reliable positioning by stable sensor position and high tolerance to shocks and vibrations

Long-term availability and first-class service.

Short delivery time, high durability and convenient exchange since sensor position, flange focal length of C-mount and image quality are adjusted by factory default



Model overview *VisiLine*[®] IP.



Models	Sensor Type	Sensor	Resolution [px]	Pixel Size [μm]	Full Frames [fps]	
Mono	Color					
VLG-02M.I	VLG-02C.I	1/4" CCD	Sony ICX618	656 × 490	5.60 × 5.6	160
VLG-12M.I	VLG-12C.I	1/3" CCD	Sony ICX445	1288 × 960	3.75 × 3.75	42
VLG-20M.I	VLG-20C.I	1/1.8" CCD	Sony ICX274	1624 × 1228	4.40 × 4.4	27
VLG-22M.I	VLG-22C.I	2/3" CMOS	ams (CMOSIS) CMV2000	2040 × 1084	5.50 × 5.5	55
VLG-23M.I	VLG-23C.I	1/1.2" CMOS	Sony IMX174	1920 × 1200	5.86 × 5.86	53
VLG-40M.I	VLG-40C.I	1" CMOS	ams (CMOSIS) CMV4000	2040 × 2044	5.50 × 5.5	29

Accessories



Lens protection (extension)
Length: 6 mm, 12 mm



GigE Flex cable M12 (CAT6),
Length: 5 m, 10 m, 15 m, 20 m



GigE Switch with PoE,
6 Ports



GigE PCIe Interface card
with PoE, 2 Ports



For more information about *VisiLine*[®] IP cameras go to
www.baumer.com/VisiLine-IP

Find your local partners at: www.baumer.com/worldwide

 **Baumer**
Passion for Sensors

Baumer Group
International Sales
P.O. Box · Hummelstrasse 17 · CH-8501 Frauenfeld
Phone +41 52 728 1122 · Fax +41 52 728 1144
sales@baumer.com · www.baumer.com

Represented by: