

Level Switch LFFS
A new generation of level detection

Level Switch LFFS for level measurement in process instrumentation

Highlights

- Detection of media separation
- Usable for measuring of liquid and powder media
- ATEX Ex and 3A approved
- Teach-in function
- Visible detection LED at the top
- Configurable via FlexProgrammer
- Visible fine tuning
- Programmable output type
- Process temperature -40 ... +200 °C



Level Switch LFFS for level measurement in process instrumentation

With the *Level Switch LFFS*, Baumer's product segment Process Instrumentation introduces a new hygienic level switch which is suitable even for high temperatures up to +200 °C. It can be easily configured with a PC using the FlexProgrammer 9701. A bright blue light on top of the switch shows when a media is detected. The indication is clearly visible even if the sensor is mounted on top of a tank.

Level Switch LFFS in different applications of process measuring technology

Hygienic applications

The Level Switch LFFS has been developed for hygienic applications, so all wetted parts are made of FDA approved acid-proof stainless steel or PEEK thermoplastic. The level switch complies with the EHEDG demands and is 3A approved. The level switch is available in ATEX versions.



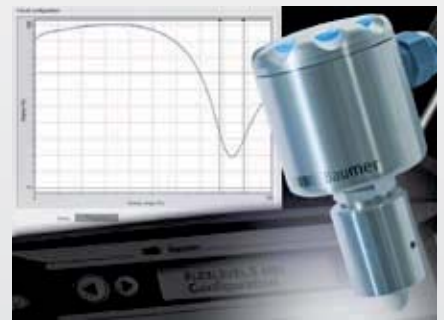
Level detection

Supplied factory preset and without any further adjustment, the Level Switch LFFS detects the level of liquids, viscous fluids and even dry media. For particularly difficult media like adhesive substances, the teach-in function enables a manual adjustment of the level to be detected.



Adjustment

The Level Switch LFFS can be connected to a PC and configured via the Flex Programmer 9701 enabling a visual fine-adjustment as well as gating out or zooming in on a certain medium, e.g. to separate medias.



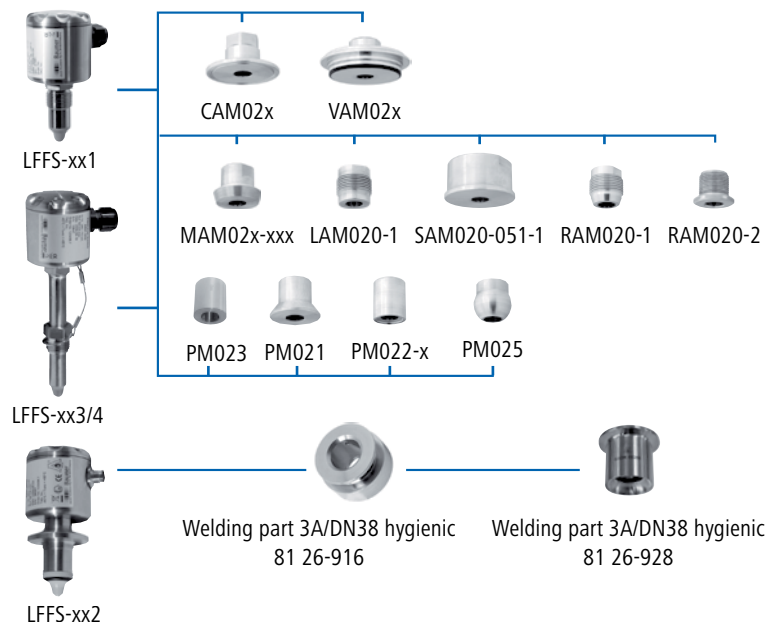
Level Switch LFFS

PM023

Typical application fields

- Food, Beverage
- Energy
- Chemical
- Water treatment
- Pharmaceutical, Bio Technology

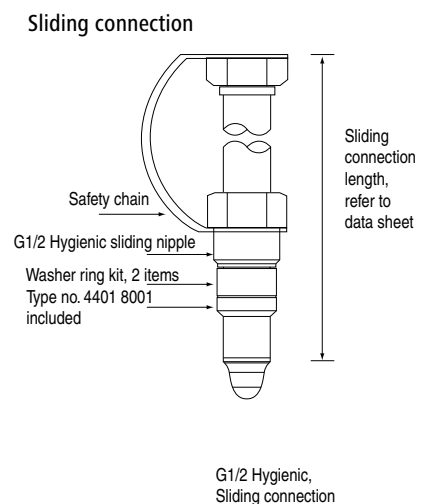
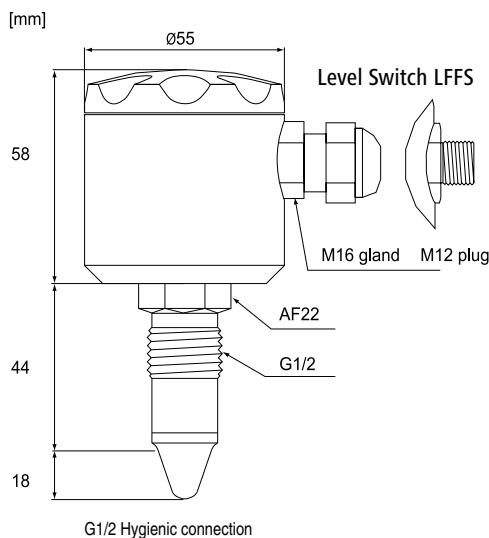
Accessories - Overview



Main technical features

Level Switch LFFS		
Sensor	Radiated signal Process connection Insulating material	100...180 MHz G1/2, DN38 3A Hygienic, sliding connection PEEK
Technical data	Housing Process connection Amb. temperature Process temperature standard and 3A < 1 h, $T_{amb} < +60\text{ °C}$ Sliding connection Protection class Media pressure Vibrations Installation	Stainless Steel, W1.4301/AISI 304 Stainless Steel, W1.4404/AISI 316 L -40 ... +85 °C -40 ... +85 °C -40 ... +140 °C -40 ... +200 °C IP67 (IEC 529) Max. 40 bar IEC 68-2-6, GL test2 Any position
Electrical connection	Cable gland M16 Plug M12	Plastic or Nickel-plated brass Nickel-plated brass
Approvals	3A Ex nA II T5, ATEX II 3G Ex ia IIC T5, ATEX II 1G Ex ia tD A20 T100 °C, ATEX II 1D	Supply range: 12 ... 30 VDC Temperature class: T1 ... T5: $-40 < T_{amb} < +85\text{ °C}$ Supply range: 24 ... 30 VDC Temperature class: T1 ... T5: $-40 < T_{amb} < +85\text{ °C}$ Supply range: 12 ... 30 VDC Temperature class: T100 °C: $-40 < T_{amb} < +85\text{ °C}$
EMC data	According to	EN 61326
Electrical data	Output (active) Power supply Damping Hysteresis Repeatability Output type Output polarity	Max. 50 mA, short-circuit proof 12 ... 36 VDC, 35 mA max. 0 ... 10 sec. $\pm 1\text{ mm}$ $\pm 1\text{ mm}$ PNP, NPN or Digital output (push-pull) Normally closed or normally open

Dimensional drawing



More information at www.baumer.com

Baumer

Baumer International
Baumer Group
International Sales
P.O. Box
Hummelstrasse 17 · CH-8501 Frauenfeld
Phone +41 (0)52 728 1122
Fax +41 (0)52 728 1144
sales@baumer.com

Represented by :