

**Overview**

- 2,75 ... 3 mm
- voltage output
- external Teach-in
- connector M12
- -10 ... 60 °C
- IP 67



Picture similar



**Technical data**

**General data**

Mounting type	Flush
Special type	Linearized High sensitivity
Measuring distance Sd	2,75 ... 3 mm
Sensitivity	40 V/mm (Range: 0,25 mm)
Resolution	< 0,00025 mm (stat.) < 0,0005 mm (dynam.)
Repeat accuracy	< 0,001 mm
Adjustment	External Teach-in
Teach	1-point analog, factory reset
Linearity error	± 5 µm
Temperature drift	± 4 % (Full Scale; +10 ... +30 °C) ± 12 % (Full Scale; -10 ... +60 °C)
Teach-Feedback	LED yellow

**Electrical data**

Response time (factory characteristic)	< 3 ms
Voltage supply range +Vs	12 ... 30 VDC

**Electrical data**

Current consumption max. (no load)	15 mA
Output circuit	Voltage output
Output signal	0 ... 10 VDC
Load resistance	> 4000 Ohm
Short circuit protection	Yes
Reverse polarity protection	Yes

**Mechanical data**

Type	Cylindrical threaded
Material (sensing face)	Ceramic
Housing material	Steel nickel plated
Dimension	18 mm
Housing length	60 mm
Connection types	Connector M12
Tightening torque max.	40 Nm

**Ambient conditions**

Operating temperature	-10 ... +60 °C
Protection class	IP 67

**Remarks**

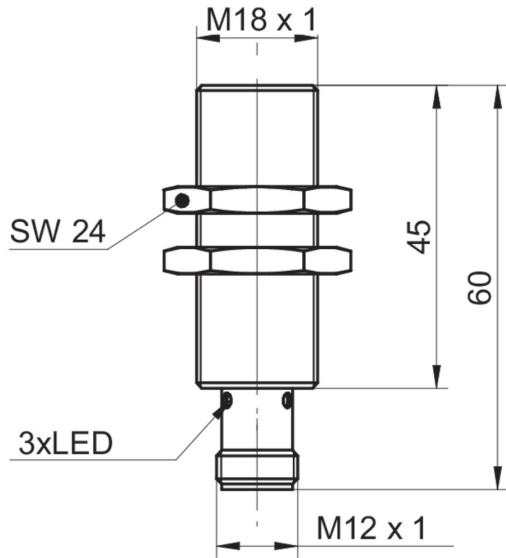
- Measuring range (0,25 mm) adjustable within 0 - 3 mm
- Linear analog output
- High sensitivity (other sensitivities on request)

# IR18.D03K-F60.UA1E.7FO/B015

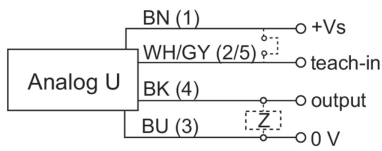
Inductive distance sensors - high sensitivity

Article number: 11158155

## Dimension drawing



## Connection diagram



## Pin assignment

