

# Diffuse sensors with intensity difference

**O300.ZL-11176840**

**dimension drawing**



**general data**

type	intensity difference
light source	pulsed red laser diode
sensing distance Tw	10 ... 250 mm
repeat accuracy	< 0,1 mm at laser focus
power on indication	LED green
light indicator	LED yellow
sensing distance adjustment	Teach-in and IO-Link
laser class	1
distance to focus	80 mm
wave length	656 nm
suppression of reciprocal influence	yes
alignment optical axis	< 2°

**electrical data**

response time / release time	< 0,1 ms
voltage supply range +Vs	11 ... 30 VDC
current consumption max. (no load)	30 mA
current consumption typ.	25 mA
voltage drop Vd	< 2,5 VDC
output function	light / dark operate
output circuit	push-pull
output current	< 100 mA
short circuit protection	yes
reverse polarity protection	yes

**mechanical data**

width / diameter	12,9 mm
height / length	32,3 mm
depth	23 mm
type	rectangular
housing material	plastic (ASA, PMMA)
front (optics)	PMMA
connection types	connector M8 4 pin

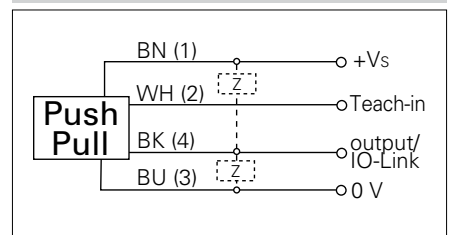
**ambient conditions**

operating temperature	-10 ... +60 °C
protection class	IP 67

**photo**



**connection diagram**



**laser warning**

**CLASS 1 LASER PRODUCT**

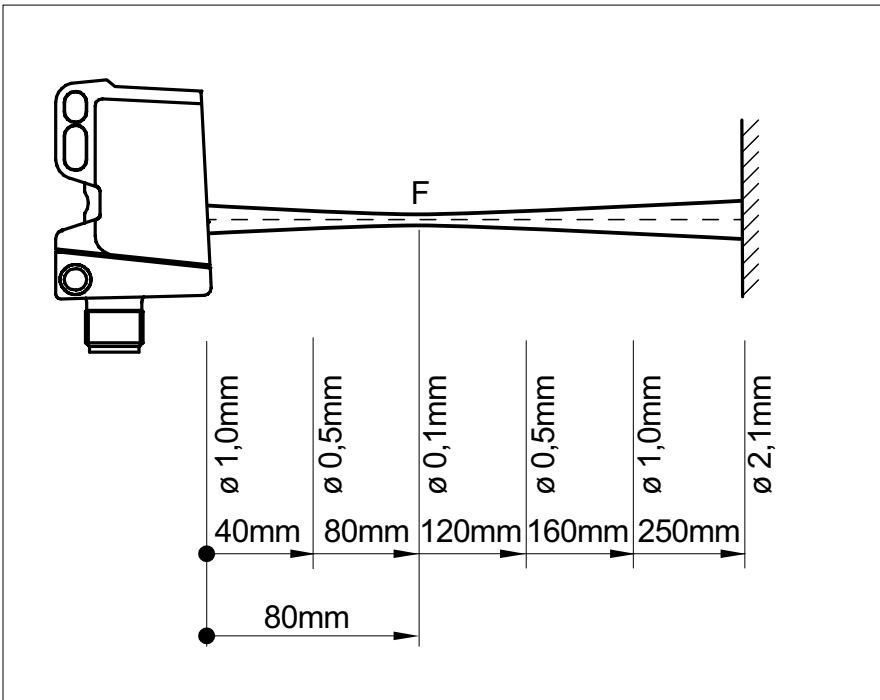
IEC 60825-1/2014  
Complies with 21 CFR 1040.10 and 1040.11  
except for deviations pursuant to laser  
notice No. 50, dated June 24, 2007



**Diffuse sensors with intensity difference**

**O300.ZL-11176840**

beam characteristic (typically)



- qTeach
- IO-Link: V1.1, filter functions, qTeach lock adjustable

relative receiving signal

