

**Overview**

- M12, female, A-coded, 12-poles; PUR, 1500 cm, shielded, free cable end
- Dragchain capable
- Head A: IP67
- Cable: good resistance against chemicals, flames, oils
- Halogen free



**Technical data**

| Side A                            |                                       | Cable                           |   |
|-----------------------------------|---------------------------------------|---------------------------------|---|
| Head A: Connection                | M12                                   | Length tolerance                | ± 22.5 cm                                 |
| Head A: Angle cable outlet        | 90°                                   | Cable length                    | 1500 cm                                   |
| Head A: Gender                    | Female                                | Acceleration (C-track)          | max. 5 m/s <sup>2</sup>                   |
| Head A: Coding                    | A                                     | AWG                             | 26  |
| Head A: No. of poles              | 12                                    | Bending radius (fixed)          | min. 5 × outer diameter                   |
| Head A: LED                       | No                                    | Torsion speed                   | max. 35 cycles/min                        |
| Head A: Width across flats        | AF13                                  | Bending radius (mobile)         | min. 10 × outer diameter                  |
| Head A: Tightening torque         | 0.6 Nm                                | Cable type                      | 3   |
| Head A: Knurled nut material      | Zinc-pressure die casting, surface Ni | Cable weight                    | approx. 67.1 g/m                          |
| Head A: Body color                | Black                                 | Conductor structure             | 18 × 0.1 mm                               |
| Head A: Gasket material           | FKM                                   | Cable diameter                  | 6.5 mm ± 5%                               |
| Labeling sleeve side A            | Yes                                   | Conductor: Material             | Copper, bare                              |
| <b>Side B</b>                     |                                       | External sheath: Material       | PUR                                       |
| Head B: Connection                | Open-ended wires                      | Insulation: Material            | PP  |
| Labeling sleeve side B            | Yes                                   | Shielding: Material             | Copper, tinned                            |
| <b>Cables</b>                     |                                       | No. of bending cycles (C-track) | approx. 500000 Cycles                     |
| Cable length                      | 1500 cm                               | Nominal voltage                 | 300 V                                     |
| Length tolerance                  | ± 22.5 cm                             | No. of torsion cycles           | approx. 2000000 Cycles                    |
| Stripping length                  | 80 mm                                 | Paired stranding                | No  |
| Shielded                          | Yes                                   | Single wire diameter            | 0.1 mm                                    |
| Conductor structure               | 18 × 0.1 mm                           | Cable: Test voltage             | 2 kV AC core-core ; 2 kV AC core-shield   |
| AWG                               | 26                                    | Torsion stress in °             | ± 30 °/m                                  |
| External sheath: Material         | PUR                                   | Total stranding                 | 3 wires strand, above that 9 wires strand |
| External sheath: Color            | Black                                 | Travel speed (C-track)          | max. 3.3 m/s                              |
| Cable diameter                    | 6.5 mm ± 5%                           | Traversing path (horizontal)    | max. 5 m                                  |
| Wire cross section                | 0.14 mm <sup>2</sup>                  | Wire cross section              | 0.14 mm <sup>2</sup>                      |
| <b>Cable</b>                      |                                       | Wire processing                 | No  |
| Cable: Temperature range (mobile) | - 25 ...+ 80 °C                       | Wire diameter incl. isolation   | 1 mm ± 5%                                 |
| Cable: Temperature range (fixed)  | - 40 ...+ 80 °C                       | External sheath: Color          | Black                                     |
| Shielded                          | Yes                                   | <b>Electrical data</b>          |   |
| Shielding: Covering               | approx. 80 %                          | Operating voltage               | max. 30 V AC/DC                           |
| Shielding attenuation             | 80                                    | Nominal voltage                 | 300 V                                     |
| Bending radius (fixed)            | 32.5 mm                               | Contact resistance              | max. 30 mOhm                              |
| Number of wires                   | 12                                    | Operating current per contact   | max. 1.5 A                                |
| Number and diameter of wires      | 12x0.14                               | <b>Mechanical data</b>          |   |
|                                   |                                       | Head A: Degree of protection    | IP65, IP66K, IP67                         |

The product features and technical data specified do not express or imply any warranty. Technical modifications subject to change. 2024-05-22

**Technical data**

**Mechanical data**

|                                 |                          |
|---------------------------------|--------------------------|
| Bending radius (mobile)         | min. 10 × outer diameter |
| Bending radius (fixed)          | min. 5 × outer diameter  |
| No. of bending cycles (C-track) | approx. 5000000 Cycles   |
| Torsion speed                   | max. 35 cycles/min       |
| Torsion stress in °             | ± 30 °/m                 |
| No. of torsion cycles           | approx. 2000000 Cycles   |
| Acceleration (C-track)          | max. 5 m/s <sup>2</sup>  |
| Travel speed (C-track)          | max. 3.3 m/s             |

**Environmental conditions**

|                                  |                 |
|----------------------------------|-----------------|
| Temperature range (mobile)       | - 25 ...+ 80 °C |
| Temperature range (fixed)        | - 25 ...+ 80 °C |
| Cable: Temperature range (fixed) | - 40 ...+ 80 °C |
| Dragchain capable                | Yes             |

**Environmental conditions**

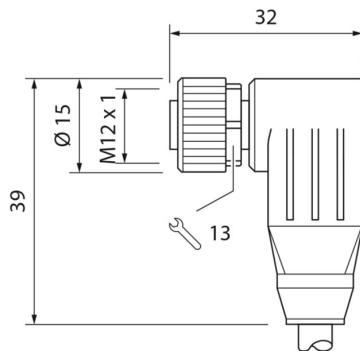
|                                   |   |
|-----------------------------------|---|
| Head A: Chemical resistance       | No  |
| Head A: Flame resistance          | HB (UL 94)  |
| Head A: Oil resistance            | ASTM 1 oil, mineral oils, limited to hydraulic oils |
| Head A: Acid and alkali resistant | No  |
| Head A: Pollution degree          | 3   |
| Cable: Chemical resistance        | Good (DIN EN 60811-404)                             |
| Cable: Flame resistance           | Conform UL 1581 §1090 (H), CSA FT2, IEC 60332-2-2   |
| Cable: Oil resistance             | Good (DIN EN 60811-404)                             |
| Cable: Silicone-free              | Yes   |

**Commercial data**

|        |          |
|--------|----------|
| Eclass | 27060311 |
|--------|----------|

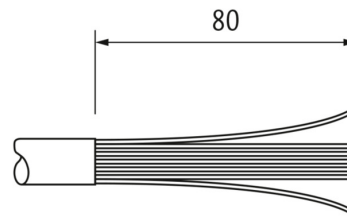
**Side A**

**Technical drawing**

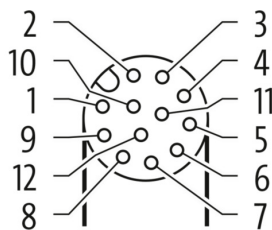


**Side B**

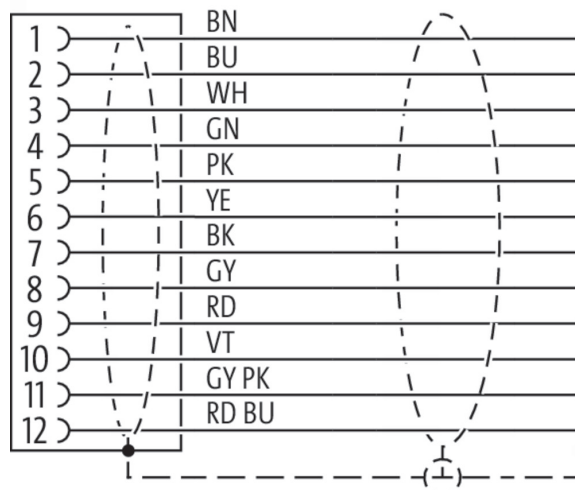
**Technical drawing**



**Coding**



**Connection diagram**



**Dimension drawing**

