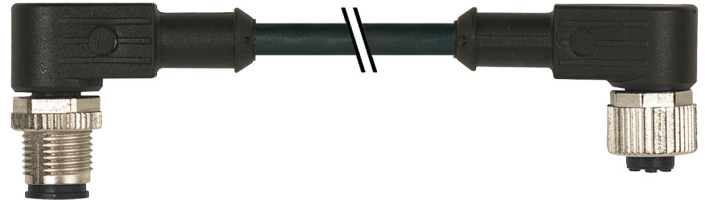


**Overview**

- M12, male, A-coded, 4-poles; PUR, 100 cm; M12, female, A-coded, 4-poles
- Dragchain capable; suitable for robotics  $\pm 180$  °/m
- Head A: IP65, IP66K, IP67; Head B: IP65, IP66K, IP67
- Cable: good resistance against chemicals, flames, oils
- Halogen free



**Technical data**

**Side A**

|                              |                                       |
|------------------------------|---------------------------------------|
| Head A: Connection           | M12                                   |
| Head A: Angle cable outlet   | 90°                                   |
| Head A: Gender               | Male                                  |
| Head A: Coding               | A                                     |
| Head A: No. of poles         | 4                                     |
| Head A: LED                  | No                                    |
| Head A: Width across flats   | AF13                                  |
| Head A: Tightening torque    | 0.6 Nm                                |
| Head A: Knurled nut material | Zinc-pressure die casting, surface Ni |
| Head A: Body color           | Black                                 |
| Labeling sleeve side A       | Yes                                   |

**Side B**

|                              |                                       |
|------------------------------|---------------------------------------|
| Head B: Connection           | M12                                   |
| Head B: Angle cable outlet   | 90°                                   |
| Head B: Gender               | Female                                |
| Head B: Coding               | A                                     |
| Head B: No. of poles         | 4                                     |
| Head B: LED                  | No                                    |
| Head B: Width across flats   | AF13                                  |
| Head B: Tightening torque    | 0.6 Nm                                |
| Head B: Knurled nut material | Zinc-pressure die casting, surface Ni |
| Head B: Body color           | Black                                 |
| Head B: Gasket material      | FKM                                   |
| Labeling sleeve side B       | Yes                                   |

**Cables**

|                           |                      |
|---------------------------|----------------------|
| Cable length              | 100 cm               |
| Length tolerance          | + 5 cm               |
| Shielded                  | No                   |
| Conductor structure       | 42 × 0.1 mm          |
| AWG                       | 22                   |
| External sheath: Material | PUR                  |
| External sheath: Color    | Black                |
| Cable diameter            | 4.5 mm ± 5%          |
| Wire cross section        | 0.34 mm <sup>2</sup> |

**Electrical data**

|                   |                  |
|-------------------|------------------|
| Operating voltage | max. 250 V AC/DC |
|-------------------|------------------|

**Electrical data**

|                                    |              |
|------------------------------------|--------------|
| Operating voltage (only UL listed) | 30 V AC/DC   |
| Nominal voltage                    | 300 V        |
| Contact resistance                 | max. 30 mOhm |
| Operating current per contact      | max. 4 A     |

**Mechanical data**

|                                 |                          |
|---------------------------------|--------------------------|
| Head A: Degree of protection    | IP65, IP66K, IP67        |
| Head B: Degree of protection    | IP65, IP66K, IP67        |
| Bending radius (mobile)         | min. 10 × outer diameter |
| Bending radius (fixed)          | min. 5 × outer diameter  |
| No. of bending cycles (C-track) | approx. 10000000 Cycles  |
| Torsion speed                   | max. 35 cycles/min       |
| Torsion stress in °             | ± 180 °/m                |
| No. of torsion cycles           | approx. 2000000 Cycles   |
| Acceleration (C-track)          | max. 10 m/s <sup>2</sup> |
| Travel speed (C-track)          | max. 3 m/s               |

**Environmental conditions**

|                                   |   |
|-----------------------------------|---|
| Temperature range (mobile)        | - 25 ...+ 80 °C                                     |
| Temperature range (fixed)         | - 25 ...+ 80 °C                                     |
| Cable: Temperature range (fixed)  | - 40 ...+ 80 °C                                     |
| Dragchain capable                 | Yes   |
| Head A: Chemical resistance       | No  |
| Head A: Flame resistance          | HB (UL 94)  |
| Head A: Oil resistance            | ASTM 1 oil, mineral oils, limited to hydraulic oils |
| Head A: Acid and alkali resistant | No  |
| Head A: Pollution degree          | 3   |
| Head B: Chemical resistance       | No  |
| Head B: Flame resistance          | HB (UL 94)  |
| Head B: Oil resistance            | ASTM 1 oil, mineral oils, limited to hydraulic oils |

**Technical data**

**Environmental conditions**

|                                   |   |
|-----------------------------------|---|
| Head B: Acid and alkali resistant | No  |
| Head B: Pollution degree          | 3   |
| Cable: Chemical resistance        | Good (DIN EN 60811-404)                           |
| Cable: Flame resistance           | Conform UL 1581 §1090 (H), CSA FT2, IEC 60332-2-2 |

**Environmental conditions**

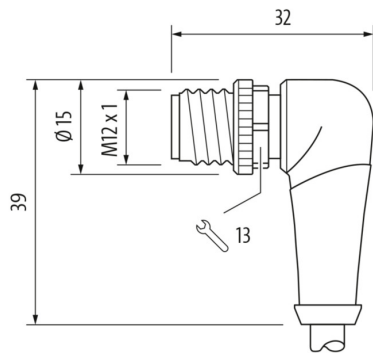
|                       |                         |
|-----------------------|-------------------------|
| Cable: Oil resistance | Good (DIN EN 60811-404) |
| Cable: Silicone-free  | Yes                     |

**Commercial data**

|        |          |
|--------|----------|
| Eclass | 27060311 |
|--------|----------|

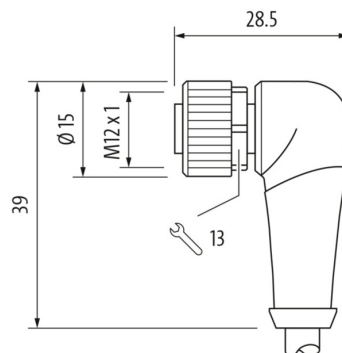
**Side A**

**Technical drawing**

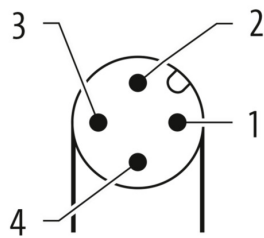


**Side B**

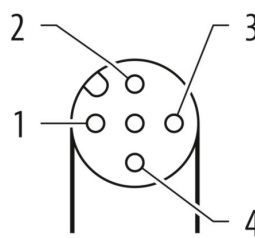
**Technical drawing**



**Coding**



**Coding**



Connection diagram



Dimension drawing

