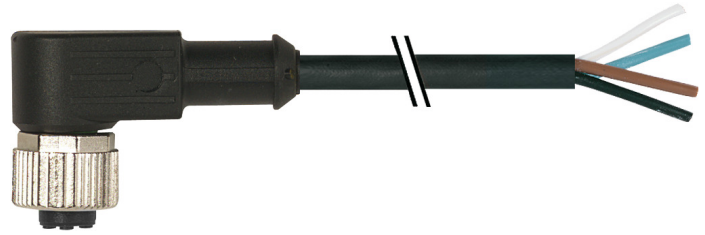


Overview

- M12, female, A-coded, 4-poles; PUR, 300 cm, free cable end
- Dragchain capable; suitable for robotics $\pm 180^\circ/\text{m}$
- Head A: IP65, IP66K, IP67
- Cable: good resistance against chemicals, flames, oils
- Halogen free



Technical data

Side A

| | |
|------------------------------|---------------------------------------|
| Head A: Connection | M12 |
| Head A: Angle cable outlet | 90° |
| Head A: Gender | Female |
| Head A: Coding | A |
| Head A: No. of poles | 4 |
| Head A: LED | No |
| Head A: Width across flats | AF13 |
| Head A: Tightening torque | 0.6 Nm |
| Head A: Knurled nut material | Zinc-pressure die casting, surface Ni |
| Head A: Body color | Black |
| Head A: Gasket material | FKM |
| Labeling sleeve side A | Yes |

Side B

| | |
|------------------------|------------------|
| Head B: Connection | Open-ended wires |
| Labeling sleeve side B | Yes |

Cables

| | |
|---------------------------|----------------------|
| Cable length | 300 cm |
| Length tolerance | + 10 cm |
| Stripping length | 20 mm |
| Shielded | No |
| Conductor structure | 42 × 0.1 mm |
| AWG | 22 |
| External sheath: Material | PUR |
| External sheath: Color | Black |
| Cable diameter | 4.5 mm ± 5% |
| Wire cross section | 0.34 mm ² |

Cable

| | |
|------------------------------------|-----------------|
| External sheath: Shore hardness | 90 ± 5 A |
| Cable: Temperature range (mobile) | - 25 ...+ 80 °C |
| Cable: Temperature range (fixed) | - 40 ...+ 80 °C |
| Operating voltage (only UL listed) | 30 V AC/DC |
| Shielded | No |
| Bending radius (fixed) | 22.5 mm |
| Number of wires | 4 |

Cable

| | |
|---------------------------------|--------------------------|
| Number and diameter of wires | 4x0.34 |
| Length tolerance | + 10 cm |
| Cable length | 300 cm |
| Acceleration (C-track) | max. 10 m/s ² |
| AWG | 22 |
| Bending radius (fixed) | min. 5 × outer diameter |
| Torsion speed | max. 35 cycles/min |
| Bending radius (mobile) | min. 10 × outer diameter |
| Cable type | 3 |
| Cable weight | approx. 36.3 g/m |
| Conductor structure | 42 × 0.1 mm |
| Cable diameter | 4.5 mm ± 5% |
| Conductor: Material | Copper, bare |
| External sheath: Material | PUR |
| Insulation: Material | PP |
| No. of bending cycles (C-track) | approx. 1000000 Cycles |
| Nominal voltage | 300 V |
| No. of torsion cycles | approx. 200000 Cycles |
| Paired stranding | No |
| Single wire diameter | 0.1 mm |
| Cable: Test voltage | 2.5 kV |
| Torsion stress in ° | ± 180 °/m |
| Total stranding | 4 wires strand |
| Travel speed (C-track) | max. 3 m/s |
| Traversing path (horizontal) | max. 10 m |
| Wire cross section | 0.34 mm ² |
| Wire processing | No |
| Wire diameter incl. isolation | 1.25 mm ± 5% |
| External sheath: Color | Black |

Electrical data

| | |
|------------------------------------|------------------|
| Operating voltage | max. 250 V AC/DC |
| Operating voltage (only UL listed) | 30 V AC/DC |
| Nominal voltage | 300 V |
| Contact resistance | max. 30 mOhm |
| Operating current per contact | max. 4 A |

Technical data

Mechanical data

| | |
|---------------------------------|--------------------------|
| Head A: Degree of protection | IP65, IP66K, IP67 |
| Bending radius (mobile) | min. 10 × outer diameter |
| Bending radius (fixed) | min. 5 × outer diameter |
| No. of bending cycles (C-track) | approx. 10000000 Cycles |
| Torsion speed | max. 35 cycles/min |
| Torsion stress in ° | ± 180 °/m |
| No. of torsion cycles | approx. 2000000 Cycles |
| Acceleration (C-track) | max. 10 m/s ² |
| Travel speed (C-track) | max. 3 m/s |

Environmental conditions

| | |
|----------------------------------|-----------------|
| Temperature range (mobile) | - 25 ...+ 80 °C |
| Temperature range (fixed) | - 25 ...+ 80 °C |
| Cable: Temperature range (fixed) | - 40 ...+ 80 °C |

Environmental conditions

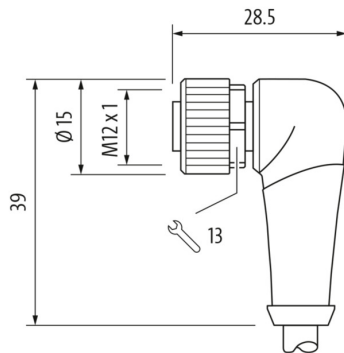
| | |
|-----------------------------------|---|
| Dragchain capable | Yes |
| Head A: Chemical resistance | No |
| Head A: Flame resistance | HB (UL 94) |
| Head A: Oil resistance | ASTM 1 oil, mineral oils, limited to hydraulic oils |
| Head A: Acid and alkali resistant | No |
| Head A: Pollution degree | 3 |
| Cable: Chemical resistance | Good (DIN EN 60811-404) |
| Cable: Flame resistance | Conform UL 1581 §1090 (H), CSA FT2, IEC 60332-2-2 |
| Cable: Oil resistance | Good (DIN EN 60811-404) |
| Cable: Silicone-free | Yes |

Commercial data

| | |
|--------|----------|
| Eclass | 27060311 |
|--------|----------|

Side A

Technical drawing

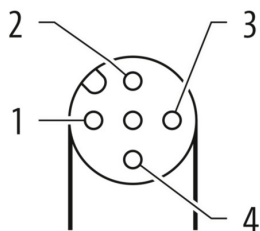


Side B

Technical drawing



Coding



Connection diagram

| | |
|---|----|
| 1 | BN |
| 2 | WH |
| 3 | BU |
| 4 | BK |

Dimension drawing

