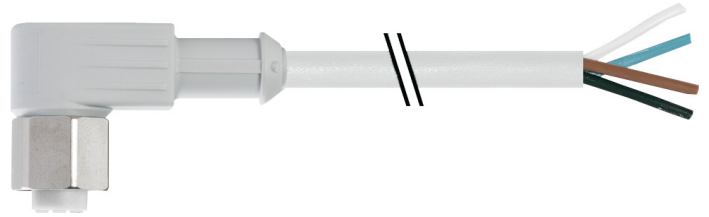


Overview

- M12, female, A-coded; 4-poles; PVC, 200 cm, free cable end
- Suitable for food & beverage
- Head A: IP65, IP68
- Cable: good resistance against chemicals, flames



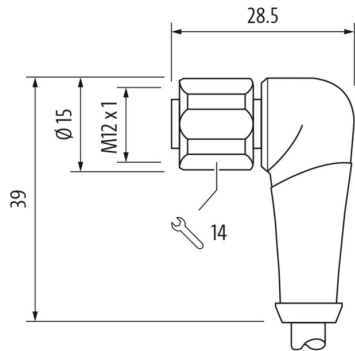
Technical data

Side A		Electrical data	
Head A: Connection	M12	Nominal voltage	300 V AC
Head A: Angle cable outlet	90°	Contact resistance	max. 30 mOhm
Head A: Gender	Female	Operating current per contact	max. 4 A
Head A: Coding	A	Mechanical data	
Head A: No. of poles	4	Head A: Degree of protection	IP65, IP68
Head A: LED	No	Bending radius (fixed)	min. 5 × outer diameter
Head A: Width across flats	AF14	Environmental conditions	
Head A: Tightening torque	0.6 Nm	Temperature range (mobile)	- 5 ...+ 80 °C
Head A: Knurled nut material	Stainless steel (V4A)	Temperature range (fixed)	- 25 ...+ 80 °C
Head A: Body color	Gray	Cable: Temperature range (fixed)	- 30 ...+ 80 °C
Head A: Gasket material	FKM	Dragchain capable	No
Labeling sleeve side A	No	Head A: Chemical resistance	No
Side B		Head A: Flame resistance	HB (UL 94)
Head B: Connection	Open-ended wires	Head A: Oil resistance	ASTM 1 oil, mineral oils, limited to hydraulic oils
Labeling sleeve side B	No	Head A: Acid and alkali resistant	No
Cables		Head A: Pollution degree	3
Cable length	200 cm	Cable: Chemical resistance	Good
Length tolerance	+ 10 cm	Cable: Flame resistance	Conform UL 1581 VW-1, CSA FT1, IEC 60332-1-2
Stripping length	20 mm	Cable: Oil resistance	Good
Shielded	No	Cable: Silicone-free	Yes
Conductor structure	19 × 0.15 mm	Commercial data	
AWG	22	Eclass	27060311
External sheath: Material	PVC		
External sheath: Color	Gray		
Cable diameter	5 mm ± 5%		
Wire cross section	0.34 mm ²		
Electrical data			
Operating voltage	max. 250 V AC/DC		
Operating voltage (only UL listed)	30 V AC/DC		

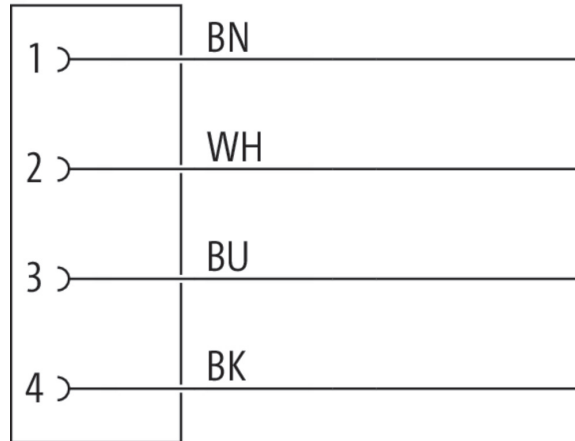
The product features and technical data specified do not express or imply any warranty. Technical modifications subject to change.

Side A

Technical drawing

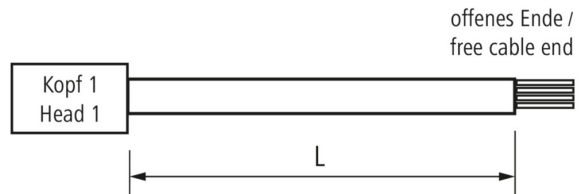
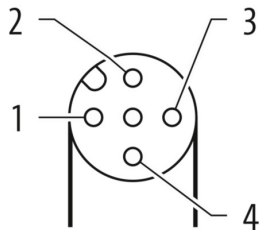


Connection diagram



Coding

Dimension drawing



Side B

Technical drawing

