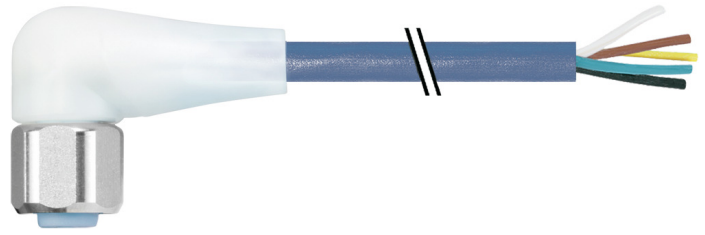


Overview

- M12, female, A-coded; 5-poles; TPE-S, 500 cm, free cable end
- Dragchain capable; suitable for robotics $\pm 180^\circ/\text{m}$; suitable for food & beverage
- Head A: IP65, IP68, IP69K
- ECOLAB tested
- Halogen free



Technical data

| Side A | | Cable | |
|-----------------------------------|-----------------------|---------------------------------|-----------------------------------|
| Head A: Connection | M12 | Cable length | 500 cm |
| Head A: Angle cable outlet | 90° | Acceleration (C-track) | max. 10 m/s ² |
| Head A: Gender | Female | AWG | 22 |
| Head A: Coding | A | Bending radius (fixed) | min. 5 × outer diameter |
| Head A: No. of poles | 5 | Torsion speed | max. 35 cycles/min |
| Head A: LED | Yes | Bending radius (mobile) | min. 10 × outer diameter |
| Head A: LED switching status | PNP | Cable weight | approx. 35.2 g/m |
| Head A: Width across flats | AF14 | Wire 1: Color | BN |
| Head A: Tightening torque | 0.6 Nm | Wire 2: Color | BK |
| Head A: Knurled nut material | Stainless steel (V4A) | Wire 3: Color | BU |
| Head A: Body color | Transparent | Wire 4: Color | WH |
| Head A: Gasket material | EPDM | Wire 5: Color | GY |
| Labeling sleeve side A | No | Conductor structure | 42 × 0.1 mm |
| Side B | | Cable diameter | 5 mm ± 5% |
| Head B: Connection | Open-ended wires | Conductor: Material | Copper, bare |
| Labeling sleeve side B | No | External sheath: Material | TPE-S |
| Cables | | Insulation: Material | PP |
| Cable length | 500 cm | No. of bending cycles (C-track) | approx. 400000 Cycles |
| Length tolerance | ± 7.5 cm | Nominal voltage | 300 V AC |
| Stripping length | 20 mm | No. of torsion cycles | approx. 200000 Cycles |
| Shielded | No | Paired stranding | No |
| Conductor structure | 42 × 0.1 mm | Single wire diameter | 0.1 mm |
| AWG | 22 | Cable: Test voltage | 3 kV |
| External sheath: Material | TPE-S | Torsion stress in ° | ± 180 °/m |
| External sheath: Color | Blue | Total stranding | 5 wires strand around core-filler |
| Cable diameter | 5 mm ± 5% | Travel speed (C-track) | max. 3 m/s |
| Wire cross section | 0.34 mm ² | Traversing path (horizontal) | max. 10 m |
| Cable | | Wire cross section | 0.34 mm ² |
| Cable: Temperature range (mobile) | - 25 ...+ 105 °C | Wire processing | No |
| Cable: Temperature range (fixed) | - 40 ...+ 105 °C | Wire diameter incl. isolation | 1.27 mm ± 5% |
| Shielded | No | External sheath: Color | Blue |
| Bending radius (fixed) | 25 mm | Electrical data | |
| Number of wires | 5 | Operating voltage | 24 V DC ± 25 % |
| Number and diameter of wires | 5x0.34 | Nominal voltage | 300 V AC |
| Length tolerance | ± 7.5 cm | Contact resistance | max. 30 mOhm |
| | | Operating current per contact | max. 4 A |

The product features and technical data specified do not express or imply any warranty. Technical modifications subject to change. 2024-04-26

Technical data

Mechanical data

| | |
|---------------------------------|--------------------------|
| Head A: Degree of protection | IP65, IP68, IP69K |
| Bending radius (mobile) | min. 10 × outer diameter |
| Bending radius (fixed) | min. 5 × outer diameter |
| No. of bending cycles (C-track) | approx. 4000000 Cycles |
| Torsion speed | max. 35 cycles/min |
| Torsion stress in ° | ± 180 °/m |
| No. of torsion cycles | approx. 2000000 Cycles |
| Acceleration (C-track) | max. 10 m/s ² |
| Travel speed (C-track) | max. 3 m/s |

Environmental conditions

| | |
|----------------------------------|------------------|
| Temperature range (mobile) | - 25 ...+ 85 °C |
| Temperature range (fixed) | - 40 ...+ 85 °C |
| Cable: Temperature range (fixed) | - 40 ...+ 105 °C |

Environmental conditions

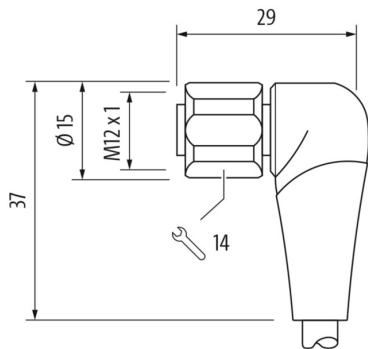
| | |
|-----------------------------------|---|
| Dragchain capable | Yes |
| Head A: Chemical resistance | Chemical resistance tested according to ECOLAB. If other media are used, the material resistance must be tested according to the application. |
| Head A: Flame resistance | HB (UL 94) |
| Head A: Oil resistance | ASTM 1 oil, mineral oils, limited to hydraulic oils |
| Head A: Acid and alkali resistant | ECOLAB tested |
| Head A: Pollution degree | 3 |
| Cable: Chemical resistance | ECOLAB material resistance test passed |
| Cable: Acid and alkali resistant | Good (FDA 21 178.3620, 178.3297, 177.1520, EU 10/2011) |
| Cable: Silicone-free | Yes |

Commercial data

| | |
|--------|----------|
| Eclass | 27060311 |
|--------|----------|

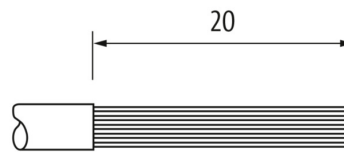
Side A

Technical drawing

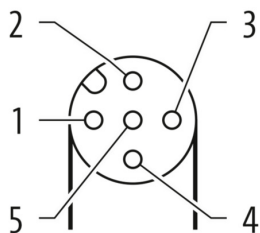


Side B

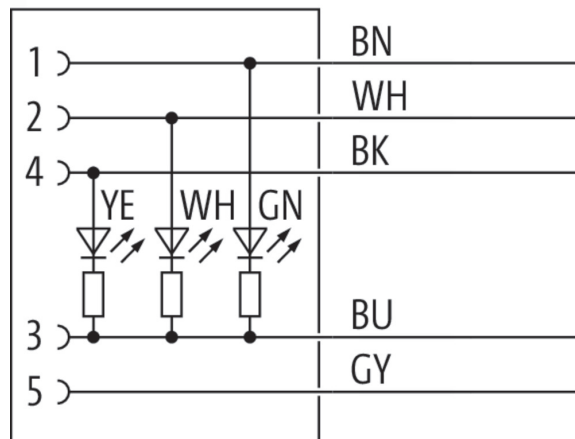
Technical drawing



Coding



Connection diagram



Dimension drawing

