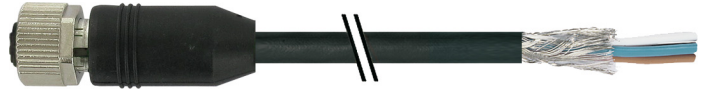


**Overview**

- M12, female, A-coded, 8-poles; PUR, 200 cm, shielded, free cable end
- Dragchain capable
- Head A: IP65, IP66K, IP67
- Cable: good resistance against chemicals, flames, oils
- Halogen free



**Technical data**

**Side A**

|                              |                                       |
|------------------------------|---------------------------------------|
| Head A: Connection           | M12                                   |
| Head A: Angle cable outlet   | 0°                                    |
| Head A: Gender               | Female                                |
| Head A: Coding               | A                                     |
| Head A: No. of poles         | 8                                     |
| Head A: LED                  | No                                    |
| Head A: Width across flats   | AF13                                  |
| Head A: Tightening torque    | 0.6 Nm                                |
| Head A: Knurled nut material | Zinc-pressure die casting, surface Ni |
| Head A: Body color           | Black                                 |
| Head A: Gasket material      | FKM                                   |
| Labeling sleeve side A       | Yes                                   |

**Side B**

|                        |                  |
|------------------------|------------------|
| Head B: Connection     | Open-ended wires |
| Labeling sleeve side B | Yes              |

**Cables**

|                           |                      |
|---------------------------|----------------------|
| Cable length              | 200 cm               |
| Length tolerance          | + 10 cm              |
| Stripping length          | 60 mm                |
| Shielded                  | Yes                  |
| Conductor structure       | 32 × 0.1 mm          |
| AWG                       | 24                   |
| External sheath: Material | PUR                  |
| External sheath: Color    | Black                |
| Cable diameter            | 7 mm ± 5%            |
| Wire cross section        | 0.25 mm <sup>2</sup> |

**Cable**

|                                    |                 |
|------------------------------------|-----------------|
| Cable: Temperature range (mobile)  | - 25 ...+ 80 °C |
| Cable: Temperature range (fixed)   | - 40 ...+ 80 °C |
| Operating voltage (only UL listed) | 30 V AC/DC      |
| Shielded                           | Yes             |
| Shielding: Covering                | approx. 80 %    |
| Bending radius (fixed)             | 35 mm           |
| Number of wires                    | 8               |

**Cable**

|                                 |   |
|---------------------------------|---|
| Number and diameter of wires    | 8x0.25                                  |
| Length tolerance                | + 10 cm                                 |
| Cable length                    | 200 cm                                  |
| Acceleration (C-track)          | max. 5 m/s <sup>2</sup>                 |
| AWG                             | 24                                      |
| Bending radius (fixed)          | min. 5 × outer diameter                 |
| Torsion speed                   | max. 35 cycles/min                      |
| Bending radius (mobile)         | min. 10 × outer diameter                |
| Cable type                      | 3                                       |
| Cable weight                    | approx. 66 g/m                          |
| Conductor structure             | 32 × 0.1 mm                             |
| Cable diameter                  | 7 mm ± 5%                               |
| Conductor: Material             | Copper, bare                            |
| External sheath: Material       | PUR                                     |
| Insulation: Material            | PP                                      |
| Shielding: Material             | Copper, tinned                          |
| No. of bending cycles (C-track) | approx. 500000 Cycles                   |
| Nominal voltage                 | 300 V                                   |
| No. of torsion cycles           | approx. 2000000 Cycles                  |
| Paired stranding                | No                                      |
| Single wire diameter            | 0.1 mm                                  |
| Cable: Test voltage             | 2 kV AC core-core ; 2 kV AC core-shield |
| Torsion stress in °             | ± 30 °/m                                |
| Total stranding                 | 8 wires strand around core-filler       |
| Travel speed (C-track)          | max. 3.3 m/s                            |
| Traversing path (horizontal)    | max. 5 m                                |
| Wire cross section              | 0.25 mm <sup>2</sup>                    |
| Wire processing                 | No                                      |
| Wire diameter incl. isolation   | 1.2 mm ± 5%                             |
| External sheath: Color          | Black                                   |

**Electrical data**

|                                    |                 |
|------------------------------------|-----------------|
| Operating voltage                  | max. 30 V AC/DC |
| Operating voltage (only UL listed) | 30 V AC/DC      |
| Nominal voltage                    | 300 V           |
| Contact resistance                 | max. 30 mOhm    |

**Technical data**

**Electrical data**

Operating current per contact max. 2 A

**Mechanical data**

Head A: Degree of protection IP65, IP66K, IP67  
 Bending radius (mobile) min. 10 × outer diameter  
 Bending radius (fixed) min. 5 × outer diameter  
 No. of bending cycles (C-track) approx. 5000000 Cycles  
 Torsion speed max. 35 cycles/min  
 Torsion stress in ° ± 30 °/m  
 No. of torsion cycles approx. 2000000 Cycles  
 Acceleration (C-track) max. 5 m/s<sup>2</sup>  
 Travel speed (C-track) max. 3.3 m/s

**Environmental conditions**

Temperature range (mobile) - 25 ...+ 80 °C  
 Temperature range (fixed) - 25 ...+ 80 °C

**Environmental conditions**

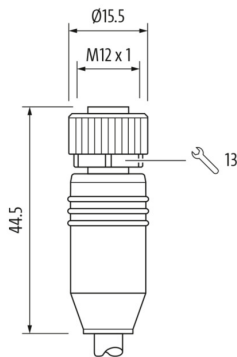
Cable: Temperature range (fixed) - 40 ...+ 80 °C  
 Dragchain capable Yes  
 Head A: Chemical resistance No  
 Head A: Flame resistance HB (UL 94)  
 Head A: Oil resistance ASTM 1 oil, mineral oils, limited to hydraulic oils  
 Head A: Acid and alkali resistant No  
 Head A: Pollution degree 3  
 Cable: Chemical resistance Good (DIN EN 60811-404)  
 Cable: Flame resistance Conform UL 1581 §1090 (H), CSA FT2, IEC 60332-2-2  
 Cable: Oil resistance Good (DIN EN 60811-404)  
 Cable: Silicone-free Yes

**Commercial data**

Eclass 27060311

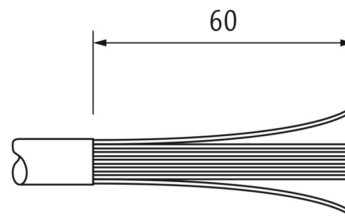
**Side A**

**Technical drawing**

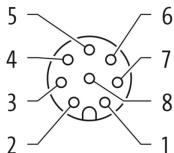


**Side B**

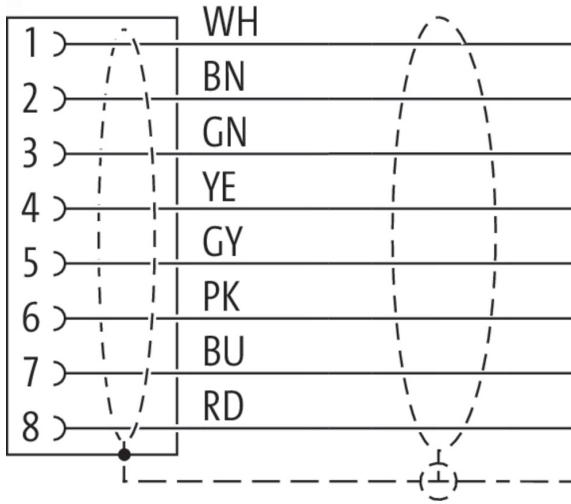
**Technical drawing**



**Coding**



**Connection diagram**



**Dimension drawing**

