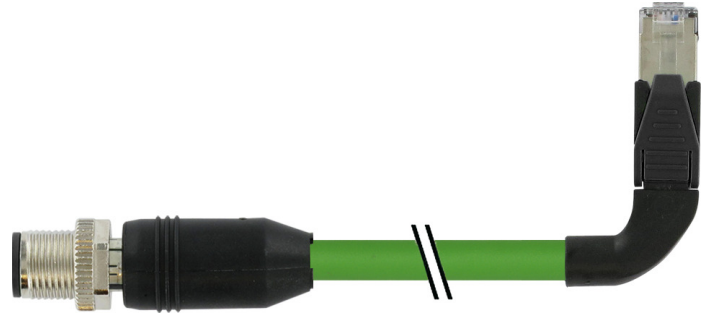


**Overview**

- M12, male, D-coded, 4-poles; PUR, 500 cm, shielded; RJ45, male, D-coded, 4-poles
- Dragchain capable
- Head A: IP67; Head B: IP20
- Cable: good resistance against flames, oils
- Halogen free



**Technical data**

**Side A**

|                              |                                       |
|------------------------------|---------------------------------------|
| Head A: Connection           | M12                                   |
| Head A: Angle cable outlet   | 0°                                    |
| Head A: Gender               | Male                                  |
| Head A: Coding               | D                                     |
| Head A: No. of poles         | 4                                     |
| Head A: LED                  | No                                    |
| Head A: Width across flats   | SW13                                  |
| Head A: Tightening torque    | 0.6 Nm                                |
| Head A: Knurled nut material | Zinc-pressure die casting, surface Ni |
| Head A: Body color           | Black                                 |
| Labeling sleeve side A       | Yes                                   |

**Side B**

|                            |       |
|----------------------------|-------|
| Head B: Connection         | RJ45  |
| Head B: Angle cable outlet | 90°   |
| Head B: Gender             | Male  |
| Head B: No. of poles       | 4     |
| Head B: LED                | No    |
| Head B: Body color         | Black |
| Labeling sleeve side B     | Yes   |

**Cables**

|                           |                       |
|---------------------------|-----------------------|
| Cable length              | 500 cm                |
| Length tolerance          | ± 7.5 cm              |
| Shielded                  | Yes                   |
| Conductor structure       | 7 × 0.254 mm          |
| AWG                       | 22                    |
| External sheath: Material | PUR                   |
| External sheath: Color    | Green                 |
| Cable diameter            | 6.7 mm ± 5%           |
| Wire cross section        | 0.355 mm <sup>2</sup> |

**Electrical data**

|                               |              |
|-------------------------------|--------------|
| Operating voltage             | max. 60 V DC |
| Nominal voltage               | 300 V        |
| Contact resistance            | max. 30 mOhm |
| Operating current per contact | max. 1.5 A   |

**Mechanical data**

|                                 |                          |
|---------------------------------|--------------------------|
| Head A: Degree of protection    | IP67                     |
| Head B: Degree of protection    | IP20                     |
| Bending radius (mobile)         | min. 12 × outer diameter |
| Bending radius (fixed)          | min. 5 × outer diameter  |
| No. of bending cycles (C-track) | approx. 3000000 Cycles   |
| Acceleration (C-track)          | max. 2 m/s <sup>2</sup>  |
| Travel speed (C-track)          | max. 3.3 m/s             |

**Environmental conditions**

|                                   |   |
|-----------------------------------|---|
| Temperature range (mobile)        | - 25 ...+ 70 °C   |
| Temperature range (fixed)         | - 25 ...+ 80 °C   |
| Cable: Temperature range (fixed)  | - 40 ...+ 80 °C   |
| Dragchain capable                 | Yes   |
| Head A: Chemical resistance       | No  |
| Head A: Flame resistance          | HB (UL 94)  |
| Head A: Oil resistance            | ASTM 1 oil, mineral oils, limited to hydraulic oils     |
| Head A: Acid and alkali resistant | No  |
| Head A: Pollution degree          | 3   |
| Head B: Chemical resistance       | No  |
| Head B: Flame resistance          | HB (UL 94)  |
| Head B: Oil resistance            | ASTM 1 oil, mineral oils, limited to hydraulic oils     |
| Head B: Acid and alkali resistant | No  |
| Head B: Pollution degree          | 3   |
| Cable: Flame resistance           | Conform UL 1581 §1090, §1100 (FT2); IEC 60332-1-2 Std.  |
| Cable: Oil resistance             | Conform IEC 60811-2-1, ASTM IRM 901, ICEA S-82-552 Std. |
| Cable: Silicone-free              | Yes   |

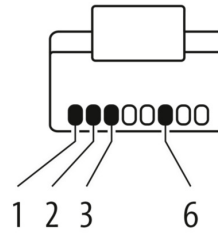
**Side A**

**Technical drawing**

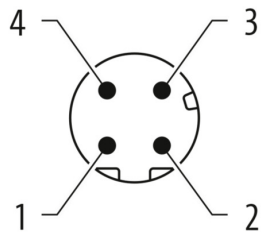


**Side B**

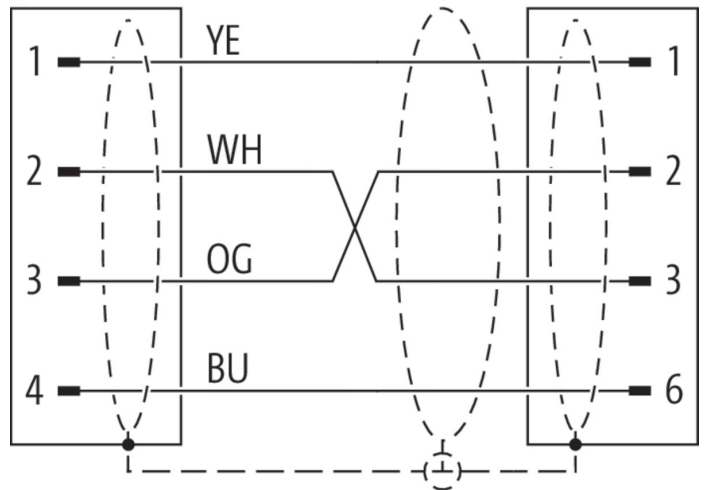
**Coding**



**Coding**

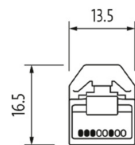
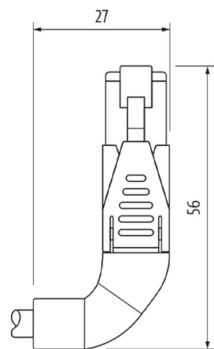


**Connection diagram**



**Side B**

**Technical drawing**



**Dimension drawing**

