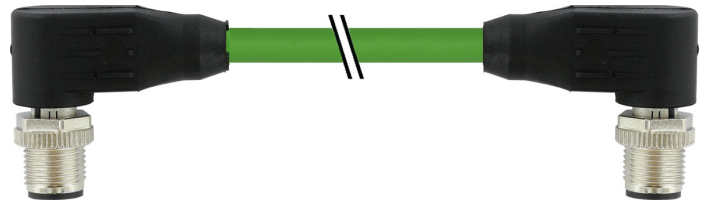


Overview

- M12, male, D-coded, 4-poles; PUR, 1500 cm, shielded; M12, male, D-coded, 4-poles
- Dragchain capable, CAT5, 100 Mbit/s
- Head A: IP65, IP66K, IP67; Head B: IP65, IP66K, IP67
- Cable: good resistance against flames, oils
- Halogen free



Technical data

Side A

| | |
|------------------------------|---------------------------------------|
| Head A: Connection | M12 |
| Head A: Angle cable outlet | 90° |
| Head A: Gender | Male |
| Head A: Coding | D |
| Head A: No. of poles | 4 |
| Head A: LED | No |
| Head A: Width across flats | AF13 |
| Head A: Tightening torque | 0.6 Nm |
| Head A: Knurled nut material | Zinc-pressure die casting, surface Ni |
| Head A: Body color | Black |
| Labeling sleeve side A | Yes |

Side B

| | |
|------------------------------|---------------------------------------|
| Head B: Connection | M12 |
| Head B: Angle cable outlet | 90° |
| Head B: Gender | Male |
| Head B: Coding | D |
| Head B: No. of poles | 4 |
| Head B: LED | No |
| Head B: Width across flats | AF13 |
| Head B: Tightening torque | 0.6 Nm |
| Head B: Knurled nut material | Zinc-pressure die casting, surface Ni |
| Head B: Body color | Black |
| Labeling sleeve side B | Yes |

Cables

| | |
|---------------------------|-----------------------|
| Cable length | 1500 cm |
| Length tolerance | ± 22.5 cm |
| Shielded | Yes |
| Conductor structure | 7 × 0.254 mm |
| AWG | 22 |
| External sheath: Material | PUR |
| External sheath: Color | Green |
| Cable diameter | 6.7 mm ± 5% |
| Wire cross section | 0.355 mm ² |

Cable

| | |
|-----------------------------------|-----------------|
| Cable: Temperature range (mobile) | - 30 ...+ 70 °C |
|-----------------------------------|-----------------|

Cable

| | |
|------------------------------------|---|
| Cable: Temperature range (fixed) | - 40 ...+ 80 °C |
| Operating voltage (only UL listed) | 30 V DC |
| Shielded | Yes |
| Shielding: Covering | approx. 85 % |
| Characteristic impedance | 100 Ohm ± 15% |
| Signal delay | 5.1 ns/m |
| Transmission rate | 100 MBit/s |
| Bending radius (fixed) | 33.5 mm |
| Number of wires | 4 |
| Number and diameter of wires | 4x0,355 |
| Length tolerance | ± 22.5 cm |
| Cable length | 1500 cm |
| Acceleration (C-track) | max. 2 m/s ² |
| AWG | 22 |
| Bending radius (fixed) | min. 5 × outer diameter |
| Bending radius (mobile) | min. 12 × outer diameter |
| Cable weight | approx. 69.3 g/m |
| Wire 1: Color | WH |
| Wire 2: Color | YE |
| Wire 3: Color | BU |
| Wire 4: Color | OG |
| Conductor structure | 7 × 0.254 mm |
| Cable diameter | 6.7 mm ± 5% |
| Insulation resistance | min. 5 MOhm x m |
| Conductor: Material | Copper, bare |
| External sheath: Material | PUR |
| Insulation: Material | PE |
| Shielding: Material | Copper, tinned; PET aluminium coated |
| No. of bending cycles (C-track) | approx. 3000000 Cycles |
| Nominal voltage | 300 V |
| Paired stranding | No |
| Single wire diameter | 0.254 mm |
| Cable: Test voltage | 2 kV AC core-core ; 2 kV AC core-shield |
| Total stranding | 4 wires strand around core-filler |
| Travel speed (C-track) | max. 3.3 m/s |

Technical data

Cable

| | |
|-------------------------------|-----------------------|
| Traversing path (horizontal) | max. 5 m |
| Wire cross section | 0.355 mm ² |
| Wire processing | No |
| Wire diameter incl. isolation | 1.4 mm ± 5% |
| External sheath: Color | Green |
| Protocols | CAT5e |

Electrical data

| | |
|------------------------------------|--------------|
| Operating voltage | max. 60 V DC |
| Operating voltage (only UL listed) | 30 V DC |
| Nominal voltage | 300 V |
| Contact resistance | max. 30 mOhm |
| Operating current per contact | max. 4 A |

Mechanical data

| | |
|---------------------------------|--------------------------|
| Head A: Degree of protection | IP65, IP66K, IP67 |
| Head B: Degree of protection | IP65, IP66K, IP67 |
| Bending radius (mobile) | min. 12 × outer diameter |
| Bending radius (fixed) | min. 5 × outer diameter |
| No. of bending cycles (C-track) | approx. 3000000 Cycles |
| Acceleration (C-track) | max. 2 m/s ² |
| Travel speed (C-track) | max. 3.3 m/s |

Environmental conditions

| | |
|----------------------------|------------------|
| Temperature range (mobile) | - 25 ... + 70 °C |
|----------------------------|------------------|

Environmental conditions

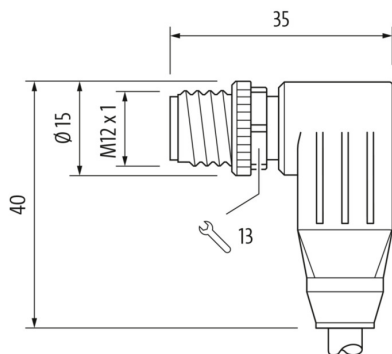
| | |
|-----------------------------------|---|
| Temperature range (fixed) | - 25 ... + 80 °C |
| Cable: Temperature range (fixed) | - 40 ... + 80 °C |
| Dragchain capable | Yes |
| Head A: Chemical resistance | No |
| Head A: Flame resistance | HB (UL 94) |
| Head A: Oil resistance | ASTM 1 oil, mineral oils, limited to hydraulic oils |
| Head A: Acid and alkali resistant | No |
| Head A: Pollution degree | 3 |
| Head B: Chemical resistance | No |
| Head B: Flame resistance | HB (UL 94) |
| Head B: Oil resistance | ASTM 1 oil, mineral oils, limited to hydraulic oils |
| Head B: Acid and alkali resistant | No |
| Head B: Pollution degree | 3 |
| Cable: Flame resistance | Conform UL 1581 §1090, §1100 (FT2), IEC 60332-1-2 Std. |
| Cable: Oil resistance | Conform IEC 60811-2-1, ASTM IRM 901, ICEA S-82-552 Std. |
| Cable: Silicone-free | Yes |

Commercial data

| | |
|--------|----------|
| Eclass | 27061801 |
|--------|----------|

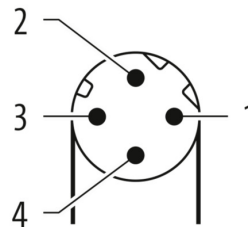
Side A

Technical drawing



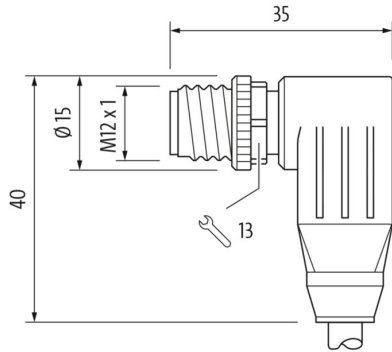
Side A

Coding



Side B

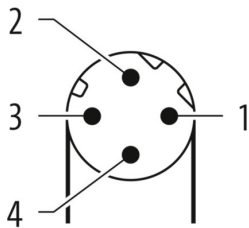
Technical drawing



Dimension drawing



Coding



Connection diagram

