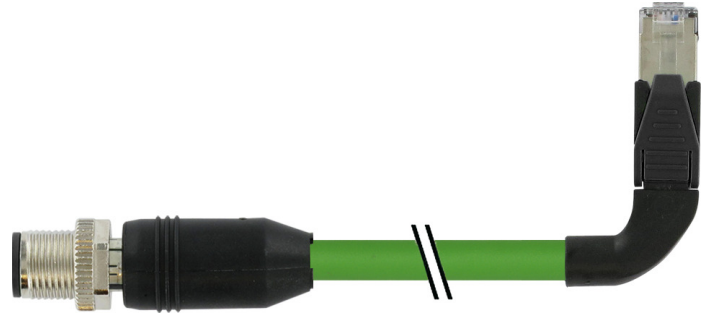


**Overview**

- M12, male, D-coded, 4-poles; PUR, 2500 cm, shielded; RJ45, male, D-coded, 4-poles
- Dragchain capable, CAT5, 100 Mbit/s
- Head A: IP67; Head B: IP20
- Cable: good resistance against flames, oils
- Halogen free



**Technical data**

Side A		Cable	
Head A: Connection	M12	Characteristic impedance	100 Ohm ± 15%
Head A: Angle cable outlet	0°	Signal delay	5.1 ns/m
Head A: Gender	Male	Transmission rate	100 MBit/s
Head A: Coding	D	Bending radius (fixed)	33.5 mm
Head A: No. of poles	4	Number of wires	4
Head A: LED	No	Number and diameter of wires	4x0,355
Head A: Width across flats	AF13	Length tolerance	± 37.5 cm
Head A: Tightening torque	0.6 Nm	Cable length	2500 cm
Head A: Knurled nut material	Zinc-pressure die casting, surface Ni	Acceleration (C-track)	max. 2 m/s <sup>2</sup>
Head A: Body color	Black	AWG	22
Labeling sleeve side A	Yes	Bending radius (fixed)	min. 5 × outer diameter
<b>Side B</b>		Bending radius (mobile)	min. 12 × outer diameter
Head B: Connection	RJ45	Cable weight	approx. 69.3 g/m
Head B: Angle cable outlet	0°	Wire 1: Color	WH
Head B: Gender	Male	Wire 2: Color	YE
Head B: No. of poles	4	Wire 3: Color	BU
Head B: LED	No	Wire 4: Color	OG
Head B: Body color	Black	Conductor structure	7 × 0.254 mm
Labeling sleeve side B	Yes	Cable diameter	6.7 mm ± 5%
<b>Cables</b>		Insulation resistance	min. 5 MOhm x m
Cable length	2500 cm	Conductor: Material	Copper, bare
Length tolerance	± 37.5 cm	External sheath: Material	PUR
Shielded	Yes	Insulation: Material	PE
Conductor structure	7 × 0.254 mm	Shielding: Material	Copper, tinned; PET aluminium coated
AWG	22	No. of bending cycles (C-track)	approx. 3000000 Cycles
External sheath: Material	PUR	Nominal voltage	300 V
External sheath: Color	Green	Paired stranding	No
Cable diameter	6.7 mm ± 5%	Single wire diameter	0.254 mm
Wire cross section	0.355 mm <sup>2</sup>	Cable: Test voltage	2 kV AC core-core ; 2 kV AC core-shield
<b>Cable</b>		Total stranding	4 wires strand around core-filler
Cable: Temperature range (mobile)	- 30 ...+ 70 °C	Travel speed (C-track)	max. 3.3 m/s
Cable: Temperature range (fixed)	- 40 ...+ 80 °C	Traversing path (horizontal)	max. 5 m
Shielded	Yes	Wire cross section	0.355 mm <sup>2</sup>
Shielding: Covering	approx. 85 %	Wire processing	No
		Wire diameter incl. isolation	1.4 mm ± 5%

**Technical data**

**Cable**

External sheath: Color	Green
Protocols	CAT5e

**Electrical data**

Operating voltage	max. 60 V DC
Nominal voltage	300 V
Contact resistance	max. 30 mOhm
Operating current per contact	max. 1.5 A

**Mechanical data**

Head A: Degree of protection	IP67
Head B: Degree of protection	IP20
Bending radius (mobile)	min. 12 × outer diameter
Bending radius (fixed)	min. 5 × outer diameter
No. of bending cycles (C-track)	approx. 3000000 Cycles
Acceleration (C-track)	max. 2 m/s <sup>2</sup>
Travel speed (C-track)	max. 3.3 m/s

**Environmental conditions**

Temperature range (mobile)	- 25 ... + 70 °C
Temperature range (fixed)	- 25 ... + 80 °C
Cable: Temperature range (fixed)	- 40 ... + 80 °C

**Environmental conditions**

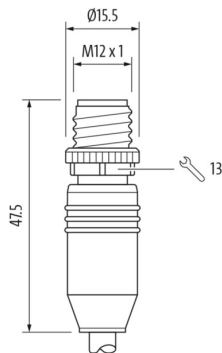
Dragchain capable	Yes
Head A: Chemical resistance	No
Head A: Flame resistance	HB (UL 94)
Head A: Oil resistance	ASTM 1 oil, mineral oils, limited to hydraulic oils
Head A: Acid and alkali resistant	No
Head A: Pollution degree	3
Head B: Chemical resistance	No
Head B: Flame resistance	HB (UL 94)
Head B: Oil resistance	ASTM 1 oil, mineral oils, limited to hydraulic oils
Head B: Acid and alkali resistant	No
Head B: Pollution degree	3
Cable: Flame resistance	Conform UL 1581 §1090, §1100 (FT2), IEC 60332-1-2 Std.
Cable: Oil resistance	Conform IEC 60811-2-1, ASTM IRM 901, ICEA S-82-552 Std.
Cable: Silicone-free	Yes

**Commercial data**

Eclass	27061801
--------	----------

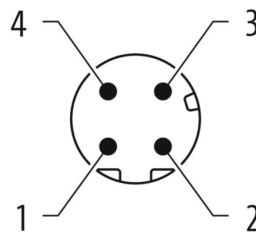
**Side A**

**Technical drawing**



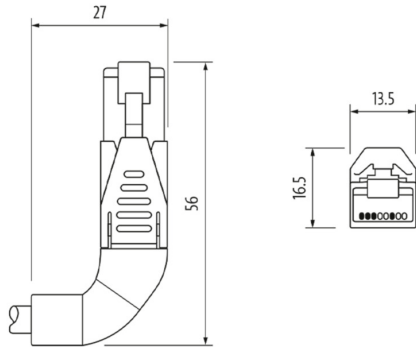
**Side A**

**Coding**



**Side B**

**Technical drawing**



**Dimension drawing**



**Coding**



**Connection diagram**

