

**Overview**

- M8, male, A-coded, 3-poles; PUR, 60 cm; M8, female, A-coded, 3-poles
- Dragchain capable; suitable for robotics  $\pm 360$  °/m
- Head A: IP65, IP66K, IP67; Head B: IP65, IP66K, IP67
- Cable: good resistance against chemicals, flames, oils
- Halogen free



**Technical data**

**Side A**

|                              |  |
|------------------------------|--|
| Head A: Connection           | M8   |
| Head A: Angle cable outlet   | 0°   |
| Head A: Gender               | Male   |
| Head A: Coding               | A  |
| Head A: No. of poles         | 3  |
| Head A: LED                  | No   |
| Head A: Width across flats   | AF9  |
| Head A: Tightening torque    | 0.4 Nm   |
| Head A: Knurled nut material | Brass, Ni plated, surface Safe-Cover silvergray matt |
| Head A: Body color           | Black  |
| Labeling sleeve side A       | Yes  |

**Side B**

|                              |  |
|------------------------------|--|
| Head B: Connection           | M8   |
| Head B: Angle cable outlet   | 90°  |
| Head B: Gender               | Female   |
| Head B: Coding               | A  |
| Head B: No. of poles         | 3  |
| Head B: LED                  | No   |
| Head B: Width across flats   | AF9  |
| Head B: Tightening torque    | 0.4 Nm   |
| Head B: Knurled nut material | Zinc-pressure die casting, Ni plated, surface Safe-Cover silvergray matt |
| Head B: Body color           | Black  |
| Head B: Gasket material      | FKM  |
| Labeling sleeve side B       | Yes  |

**Cables**

|                           |                      |
|---------------------------|----------------------|
| Cable length              | 60 cm                |
| Length tolerance          | + 5 cm               |
| Shielded                  | No                   |
| Conductor structure       | 42 × 0.1 mm          |
| AWG                       | 22                   |
| External sheath: Material | PUR                  |
| External sheath: Color    | Yellow               |
| Cable diameter            | 4.3 mm ± 5%          |
| Wire cross section        | 0.34 mm <sup>2</sup> |

**Electrical data**

|                   |                        |
|-------------------|------------------------|
| Operating voltage | max. 50 V AC / 60 V DC |
|-------------------|------------------------|

**Electrical data**

|                                    |              |
|------------------------------------|--------------|
| Operating voltage (only UL listed) | 30 V AC/DC   |
| Nominal voltage                    | 300 V        |
| Contact resistance                 | max. 30 mOhm |
| Operating current per contact      | max. 4 A     |

**Mechanical data**

|                                 |                          |
|---------------------------------|--------------------------|
| Head A: Degree of protection    | IP65, IP66K, IP67        |
| Head B: Degree of protection    | IP65, IP66K, IP67        |
| Bending radius (mobile)         | min. 10 × outer diameter |
| Bending radius (fixed)          | min. 5 × outer diameter  |
| No. of bending cycles (C-track) | approx. 10000000 Cycles  |
| Torsion speed                   | max. 35 cycles/min       |
| Torsion stress in °             | ± 360 °/m                |
| No. of torsion cycles           | approx. 1000000 Cycles   |
| Acceleration (C-track)          | max. 5 m/s <sup>2</sup>  |
| Travel speed (C-track)          | max. 3.3 m/s             |

**Environmental conditions**

|                                   |   |
|-----------------------------------|---|
| Temperature range (mobile)        | - 25 ...+ 80 °C                                     |
| Temperature range (fixed)         | - 25 ...+ 80 °C                                     |
| Cable: Temperature range (fixed)  | - 40 ...+ 80 °C                                     |
| Dragchain capable                 | Yes   |
| Head A: Chemical resistance       | No  |
| Head A: Flame resistance          | HB (UL 94)  |
| Head A: Oil resistance            | ASTM 1 oil, mineral oils, limited to hydraulic oils |
| Head A: Acid and alkali resistant | No  |
| Head A: Pollution degree          | 3   |
| Head B: Flame resistance          | HB (UL 94)  |
| Head B: Oil resistance            | ASTM 1 oil, mineral oils, limited to hydraulic oils |
| Head B: Acid and alkali resistant | No  |
| Head B: Pollution degree          | 3   |

**Technical data**

**Environmental conditions**

|                            |   |
|----------------------------|---|
| Cable: Chemical resistance | Good (DIN EN 60811-404)                           |
| Cable: Flame resistance    | Conform UL 1581 §1090 (H), CSA FT2, IEC 60332-2-2 |
| Cable: Oil resistance      | Good (DIN EN 60811-404)                           |

**Environmental conditions**

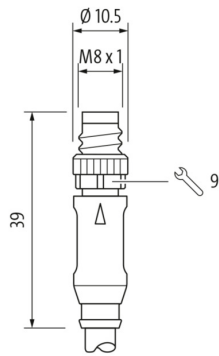
|                      |     |
|----------------------|-----|
| Cable: Silicone-free | Yes |
|----------------------|-----|

**Commercial data**

|        |          |
|--------|----------|
| Eclass | 27060311 |
|--------|----------|

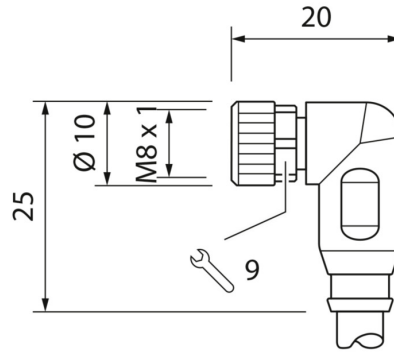
**Side A**

**Technical drawing**

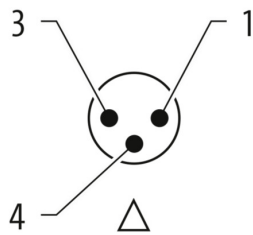


**Side B**

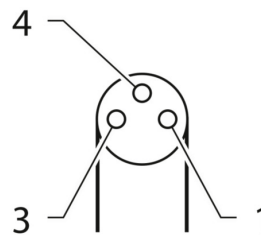
**Technical drawing**



**Coding**



**Coding**



Connection diagram

