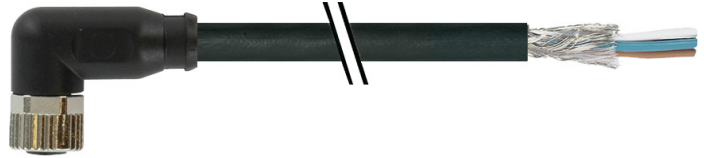


**Overview**

- M8, female, A-coded; 4-poles; PUR, shielded, 300 cm, free cable end
- Dragchain capable
- Head A: IP65, IP67
- Cable: good resistance against chemicals, flames and oils
- Halogen free



**Technical data**

**Side A**

|                              |                                       |
|------------------------------|---------------------------------------|
| Head A: Connection           | M8                                    |
| Head A: Angle cable outlet   | 90°                                   |
| Head A: Gender               | Female                                |
| Head A: Coding               | A                                     |
| Head A: No. of poles         | 4                                     |
| Head A: LED                  | No                                    |
| Head A: Width across flats   | AF9                                   |
| Head A: Tightening torque    | 0.4 Nm                                |
| Head A: Knurled nut material | Zinc-pressure die casting, surface Ni |
| Head A: Body color           | Black                                 |
| Head A: Gasket material      | FKM                                   |
| Labeling sleeve side A       | Yes                                   |

**Side B**

|                        |                  |
|------------------------|------------------|
| Head B: Connection     | Open-ended wires |
| Labeling sleeve side B | Yes              |

**Cables**

|                           |                      |
|---------------------------|----------------------|
| Cable length              | 300 cm               |
| Length tolerance          | + 10 cm              |
| Stripping length          | 20 mm                |
| Shielded                  | Yes                  |
| Conductor structure       | 42 × 0.1 mm          |
| External sheath: Material | PUR                  |
| External sheath: Color    | Black                |
| Cable diameter            | 5.3 mm ± 5%          |
| Wire cross section        | 0.34 mm <sup>2</sup> |

**Electrical data**

|                               |                        |
|-------------------------------|------------------------|
| Operating voltage             | max. 50 V AC / 60 V DC |
| Nominal voltage               | 300 V                  |
| Contact resistance            | max. 30 mOhm           |
| Operating current per contact | max. 4 A               |

**Mechanical data**

|                                 |                          |
|---------------------------------|--------------------------|
| Head A: Degree of protection    | IP65, IP67               |
| Bending radius (mobile)         | min. 10 × outer diameter |
| Bending radius (fixed)          | min. 5 × outer diameter  |
| No. of bending cycles (C-track) | approx. 500000 Cycles    |
| Torsion speed                   | max. 35 cycles/min       |
| Torsion stress in °             | ± 30 °/m                 |
| No. of torsion cycles           | approx. 200000 Cycles    |
| Acceleration (C-track)          | max. 5 m/s <sup>2</sup>  |
| Travel speed (C-track)          | max. 3.3 m/s             |

**Environmental conditions**

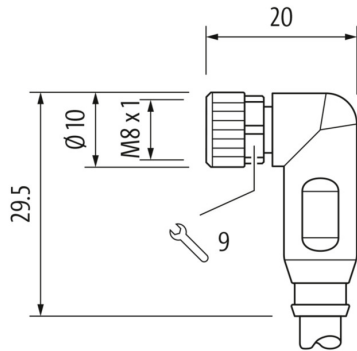
|                                   |   |
|-----------------------------------|---|
| Temperature range (mobile)        | - 25 ...+ 80 °C                                     |
| Temperature range (fixed)         | - 25 ...+ 80 °C                                     |
| Cable: Temperature range (fixed)  | - 40 ...+ 80 °C                                     |
| Dragchain capable                 | Yes   |
| Head A: Chemical resistance       | No  |
| Head A: Flame resistance          | HB (UL 94)  |
| Head A: Oil resistance            | ASTM 1 oil, mineral oils, limited to hydraulic oils |
| Head A: Acid and alkali resistant | No  |
| Cable: Chemical resistance        | Good (DIN EN 60811-404)                             |
| Cable: Flame resistance           | Conform UL 1581 §1090 (H), CSA FT2, IEC 60332-2-2   |
| Cable: Oil resistance             | Good (DIN EN 60811-404)                             |
| Cable: Silicone-free              | Yes   |

**Commercial data**

|        |          |
|--------|----------|
| Eclass | 27060311 |
|--------|----------|

**Side A**

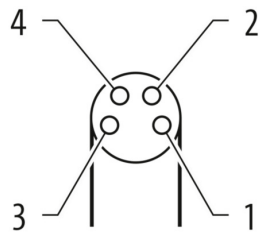
**Technical drawing**



**Connection diagram**



**Coding**



**Dimension drawing**



**Side B**

**Technical drawing**

