

## CFAK 12N1103

Capacitive proximity sensors - in direct media contact

Article number: 10164642

### Overview

- 0,5 mm
- NPN make function (NO)
- no
- cable, 2 m
- 70 °C
- IP 67



Picture similar



### Technical data

#### General data

Nominal sensing distance	0.5 mm
Sn	
Mounting type	Non-flush
GND electrode	No
Temperature drift	± 20 %
Sensitivity adjustment	No
Output indicator	LED yellow
Measurement type	Contact with medium

#### Field of application

Detection of non-conductive media	No
Fill level detection through container	No
Liquids in direct contact	Yes
Object detection / bulk goods	No

#### Electrical data

Voltage supply range +Vs	10 ... 30 VDC
--------------------------	---------------

#### Electrical data

Current consumption max. (no load)	12 mA
Output circuit	NPN make function (NO)
Output current	< 200 mA
Voltage drop Vd	< 2.5 VDC
Switching frequency	15 Hz
Short circuit protection	Yes
Reverse polarity protection	Yes

#### Mechanical data

Type	Cylindrical threaded
Housing material	PBT
Dimension	12 mm
Housing length	39 mm
Connection types	Cable, L=2 m

#### Ambient conditions

Operating temperature	0 ... +70 °C
Protection class	IP 67

### Remarks

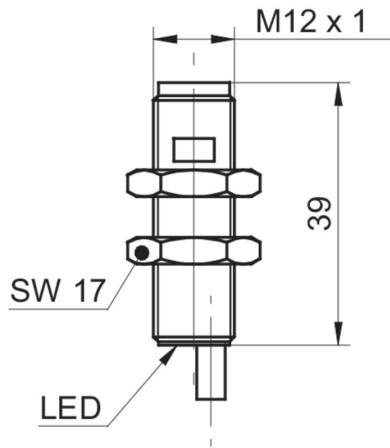
- Other housing materials are available on request

# CFAK 12N1103

Capacitive proximity sensors - in direct media contact

Article number: 10164642

## Dimension drawing



## Connection diagram

