

CFAK 12N1103

Capacitive proximity sensors - in direct media contact

Article number: 10164642

Overview

- 0,5 mm
- NPN make function (NO)
- no
- cable, 2 m
- 70 °C
- IP 67



Picture similar



Technical data

General data

Nominal sensing distance Sn	0.5 mm
Mounting type	Non-flush
GND electrode	No
Temperature drift	± 20 %
Sensitivity adjustment	No
Output indicator	LED yellow
Measurement type	Contact with medium

Field of application

Detection of non-conductive media	No
Fill level detection through container	No
Liquids in direct contact	Yes
Object detection / bulk goods	No

Electrical data

Voltage supply range +Vs	10 ... 30 VDC
--------------------------	---------------

Electrical data

Current consumption max. (no load)	12 mA
Output circuit	NPN make function (NO)
Output current	< 200 mA
Voltage drop Vd	< 2.5 VDC
Switching frequency	15 Hz
Short circuit protection	Yes
Reverse polarity protection	Yes

Mechanical data

Type	Cylindrical threaded
Housing material	PBT
Dimension	12 mm
Housing length	39 mm
Connection types	Cable, L=2 m

Ambient conditions

Operating temperature	0 ... +70 °C
Protection class	IP 67

Remarks

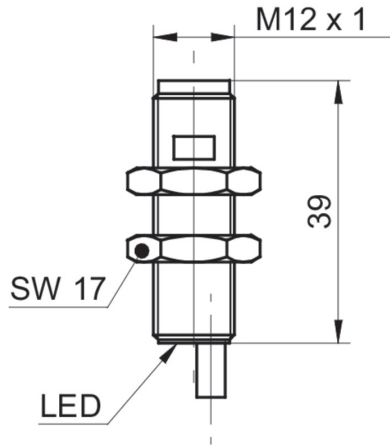
- Other housing materials are available on request
- EMC: EN 60947-5-2:2007+A1:2012

CFAK 12N1103

Capacitive proximity sensors - in direct media contact

Article number: 10164642

Dimension drawing



Connection diagram

