

## CFAK 18P1100

Capacitive proximity sensors - in direct media contact

Article number: 10165163

### Overview

- 5 mm
- PNP make function (NO)
- no
- cable, 2 m
- -25 ... 75 °C
- IP 67/65 (sensing face/sensor)



Picture similar



### Technical data

#### General data

Nominal sensing distance	5 mm
Sn	
Mounting type	Non-flush
GND electrode	No
Temperature drift	± 15 % (0 ... +70 °C)
Sensitivity adjustment	No
Output indicator	LED yellow
Measurement type	Contactless

#### Field of application

Detection of non-conductive media	Yes
Fill level detection through container	Yes
Liquids in direct contact	Yes
Object detection / bulk goods	Yes

#### Electrical data

Voltage supply range +Vs	10 ... 30 VDC
--------------------------	---------------

#### Electrical data

Current consumption max. (no load)	20 mA
Output circuit	PNP make function (NO)
Output current	< 200 mA
Voltage drop Vd	< 1.5 VDC
Switching frequency	50 Hz
Short circuit protection	Yes
Reverse polarity protection	Yes

#### Mechanical data

Type	Cylindrical threaded
Housing material	PBT
Dimension	18 mm
Housing length	63.5 mm
Connection types	Cable, L=2 m

#### Ambient conditions

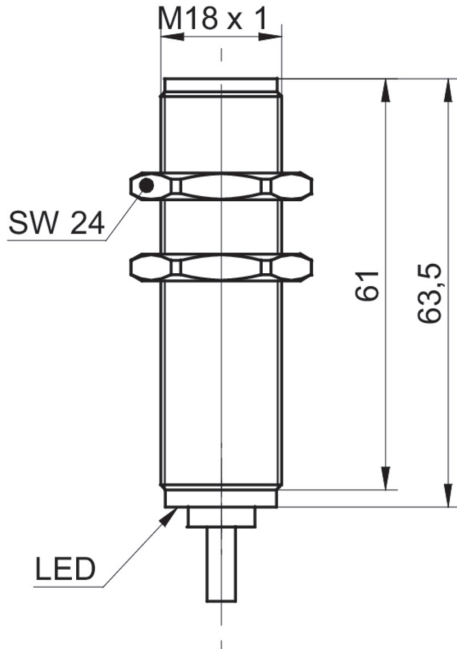
Operating temperature	-25 ... +75 °C
Protection class	IP 67/65 (sensing face/sensor)

# CFAK 18P1100

Capacitive proximity sensors - in direct media contact

Article number: 10165163

## Dimension drawing



## Connection diagram

