

CFAK 22U9500/AMP

Frequency sweep sensors - designed for reliability

Article number: 11149600

Overview

- voltage output
- connector AMPSEAL 16 3 pin
- -40 ... 85 °C
- IP 69K



Picture similar



Technical data

General data

Special type	Liquid level sensor for oil
Mounting type	Non-flush
Version	Adhesion resistant
Measurement type	Contact with medium
Approvals/certificates	EN 60947-5-2 / EN 60947-5-7 EN ISO 14982:2009 ISO 15003:2006, Sec 5.13 ISO 13766:2006-05 EN 13309:2010

Field of application

Detection of non-conductive media	No
Fill level detection through container	No
Liquids in direct contact	Yes
Object detection / bulk goods	No

Electrical data

Voltage supply range +Vs	4.75 ... 5.25 VDC
Current consumption max. (no load)	42 mA
Current consumption typ.	10 mA
Output circuit	Voltage output

Electrical data

Output state	In air 2,75 ... 3,25 V In liquid 1,25 ... 1,75 V Fault 0,50 ... 1,00 V
Typ. response time	< 1000 ms
Load resistance	≥ 930 Ohm
Capacitive load	< 200 nF
Short circuit protection	Yes
Reverse polarity protection	No

Mechanical data

Type	Cylindrical threaded
Housing material	Polyamid (glass fiber reinforced), aluminium
Dimension	22 mm
Housing length	87 mm
Connection types	Connector AMPSEAL 16 3 pin
Tightening torque max.	14 Nm (min. 10 Nm)
Fluid port	O-Ring port M22 x 1,5 (ISO 6149-1)

Ambient conditions

Operating temperature	-40 ... +85 °C
Media temperature	-40 ... +100 °C
Storage temperature	-55 ... +125 °C
Protection class	IP 69K

Remarks

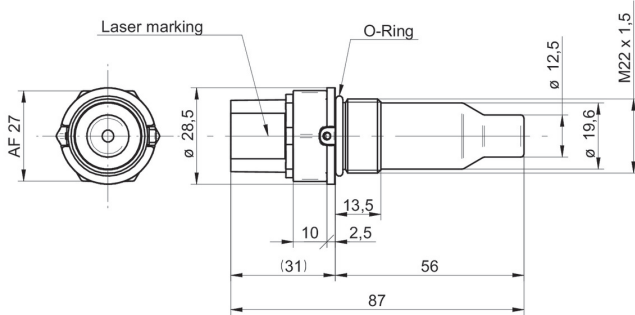
- For electrically conductive container with mating surface at fluid port
- EMC: EN 60947-5-2:2007+A1:2012

CFAK 22U9500/AMP

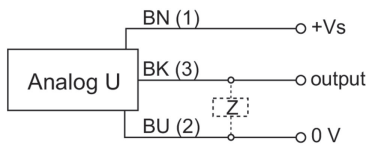
Frequency sweep sensors - designed for reliability

Article number: 11149600

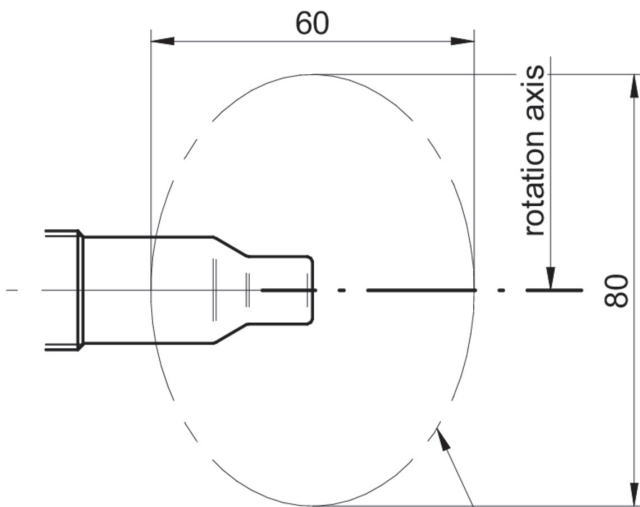
Dimension drawing



Connection diagram



Installation instructions



Rotational ellipsoid with
main diameters 80 mm/60 mm