

CFAM 30N1600/S14

Capacitive proximity sensors

Article number: 10119711

Overview

- 15 mm
- NPN make function (NO)
- potentiometer, 18 turn
- connector M12
- -25 ... 75 °C
- IP 65



Picture similar



Technical data

General data

Nominal sensing distance Sn	15 mm
Nominal sensing distance Sn adjustable	4 ... 15 mm
Mounting type	Flush
GND electrode	Yes
Temperature drift	± 15 % (+10 ... +70 °C)
Sensitivity adjustment	Potentiometer, 18 turn
Output indicator	LED yellow
Measurement type	Contactless

Field of application

Detection of non-conductive media	Yes
Fill level detection through container	Yes
Liquids in direct contact	No
Object detection / bulk goods	Yes

Electrical data

Voltage supply range +Vs	10 ... 30 VDC
Current consumption max. (no load)	20 mA
Output circuit	NPN make function (NO)
Output current	< 200 mA
Voltage drop Vd	< 1.5 VDC
Switching frequency	50 Hz
Short circuit protection	Yes
Reverse polarity protection	Yes

Mechanical data

Type	Cylindrical threaded
Housing material	Brass nickel plated
Dimension	30 mm
Housing length	82 mm
Connection types	Connector M12

Ambient conditions

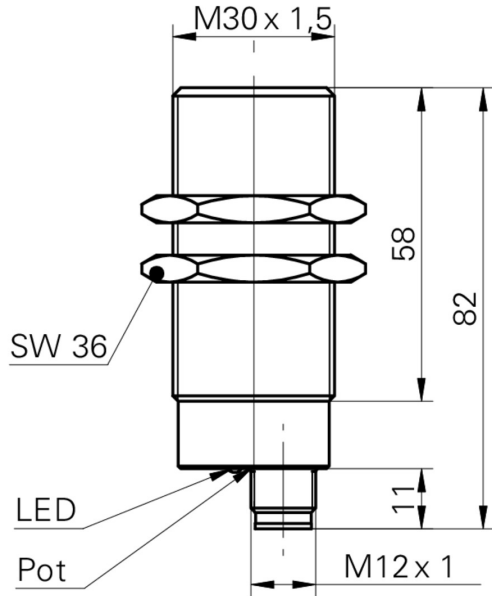
Operating temperature	-25 ... +75 °C
Protection class	IP 65

CFAM 30N1600/S14

Capacitive proximity sensors

Article number: 10119711

Dimension drawing



Connection diagram

