

# CFDK 25G1125/KS35LN1

Capacitive proximity sensors

Article number: 11076113

## Overview

- 2 mm
- push-pull
- no
- flylead connector M8, L=200 mm
- -25 ... 75 °C
- IP 65



Picture similar



## Technical data

### General data

Nominal sensing distance	2 mm
Sn	
Mounting type	Flush
GND electrode	No
Temperature drift	± 15 %
Sensitivity adjustment	No
Output indicator	LED red
Measurement type	Contactless

### Field of application

Detection of non-conductive media	No
Fill level detection through container	Yes
Liquids in direct contact	No
Object detection / bulk goods	No

### Electrical data

Voltage supply range +Vs	10 ... 30 VDC
Current consumption max. (no load)	15 mA

### Electrical data

Output function	Active high
Output circuit	Push-pull
Output current	< 100 mA
Voltage drop Vd	< 3 VDC
Switching frequency	35 Hz
Short circuit protection	Yes
Reverse polarity protection	Yes

### Mechanical data

Type	Rectangular
Housing material	PA 12
Dimension	25 mm
Housing length	52.4 mm
Depth	6 mm
Connection types	Flylead connector M8, L=200 mm

### Ambient conditions

Operating temperature	-25 ... +75 °C
Protection class	IP 65

## Remarks

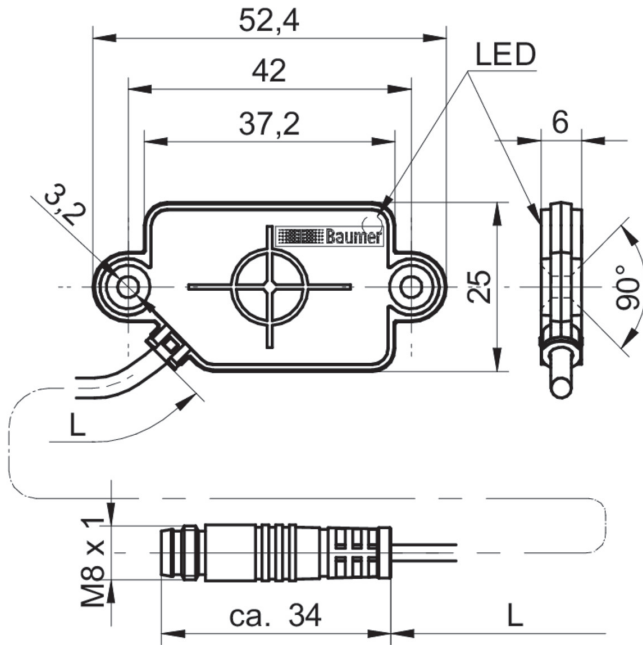
- EMC: EN 60947-5-2:2007+A1:2012

# CFDK 25G1125/KS35LN1

Capacitive proximity sensors

Article number: 11076113

## Dimension drawing



## Connection diagram

