

CFDK 25G1125/LN4

Capacitive proximity sensors

Article number: 11076814

Overview

- 8 mm
- push-pull
- no
- cable PVC 3 x 0,14, 2 m
- -25 ... 75 °C
- IP 65



Picture similar



Technical data

General data

| | |
|-----------------------------|-------------|
| Nominal sensing distance Sn | 8 mm |
| Mounting type | Flush |
| GND electrode | No |
| Temperature drift | ± 20 % |
| Sensitivity adjustment | No |
| Output indicator | LED red |
| Measurement type | Contactless |

Field of application

| | |
|--|-----|
| Detection of non-conductive media | Yes |
| Fill level detection through container | Yes |
| Liquids in direct contact | No |
| Object detection / bulk goods | Yes |

Electrical data

| | |
|------------------------------------|---------------|
| Voltage supply range +Vs | 10 ... 30 VDC |
| Current consumption max. (no load) | 15 mA |

Electrical data

| | |
|-----------------------------|-------------|
| Output function | Active high |
| Output circuit | Push-pull |
| Output current | < 100 mA |
| Voltage drop Vd | < 3 VDC |
| Switching frequency | 35 Hz |
| Short circuit protection | Yes |
| Reverse polarity protection | Yes |

Mechanical data

| | |
|------------------|-------------------------|
| Type | Rectangular |
| Housing material | PA 12 |
| Dimension | 25 mm |
| Housing length | 52.4 mm |
| Depth | 6 mm |
| Connection types | Cable PVC 3 x 0,14, 2 m |

Ambient conditions

| | |
|-----------------------|----------------|
| Operating temperature | -25 ... +75 °C |
| Protection class | IP 65 |

Remarks

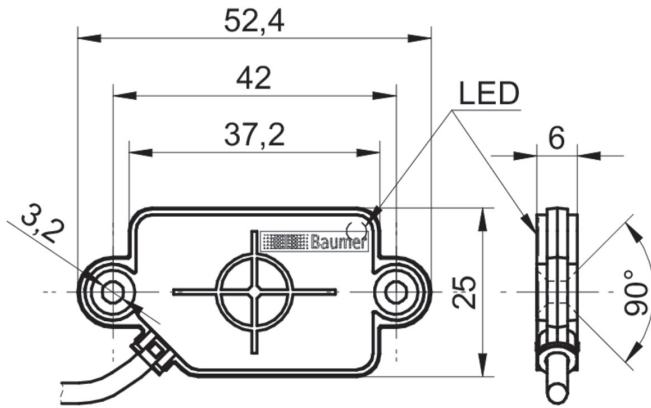
- EMC: EN 60947-5-2:2007+A1:2012

CFDK 25G1125/LN4

Capacitive proximity sensors

Article number: 11076814

Dimension drawing



Connection diagram

