

CFDK 30P1600/S14

Capacitive proximity sensors

Article number: 10238893

Overview

- 15 mm
- PNP make function (NO)
- potentiometer, 15 turn
- connector M12
- -25 ... 75 °C
- IP 65



Picture similar



Technical data

General data

| | |
|--|-------------------------|
| Nominal sensing distance Sn | 15 mm |
| Nominal sensing distance Sn adjustable | 4 ... 15 mm |
| Mounting type | Flush |
| GND electrode | Yes |
| Temperature drift | ± 15 % (+10 ... +70 °C) |
| Sensitivity adjustment | Potentiometer, 15 turn |
| Output indicator | LED yellow |
| Measurement type | Contactless |

Field of application

| | |
|--|-----|
| Detection of non-conductive media | Yes |
| Fill level detection through container | Yes |
| Liquids in direct contact | No |
| Object detection / bulk goods | Yes |

Electrical data

| | |
|------------------------------------|------------------------|
| Voltage supply range +Vs | 10 ... 30 VDC |
| Current consumption max. (no load) | 20 mA |
| Output circuit | PNP make function (NO) |
| Output current | < 200 mA |
| Voltage drop Vd | < 1.5 VDC |
| Switching frequency | 50 Hz |
| Short circuit protection | Yes |
| Reverse polarity protection | Yes |

Mechanical data

| | |
|------------------|---------------|
| Type | Rectangular |
| Housing material | PBT |
| Dimension | 30 mm |
| Housing length | 75 mm |
| Connection types | Connector M12 |

Ambient conditions

| | |
|-----------------------|----------------|
| Operating temperature | -25 ... +75 °C |
| Protection class | IP 65 |

Remarks

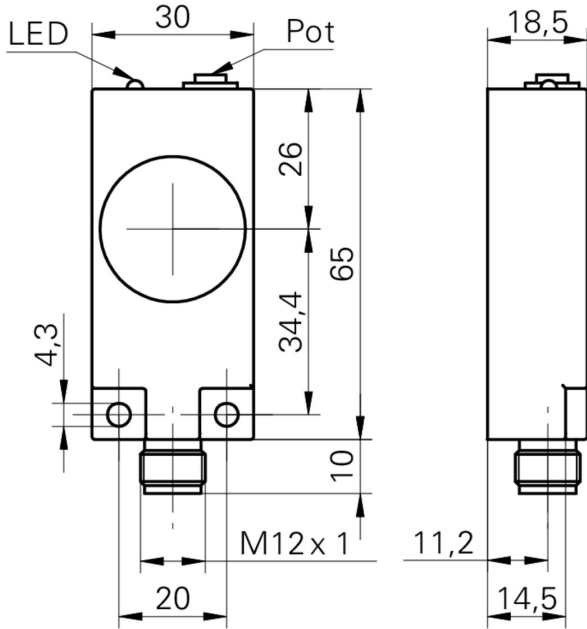
- EMC: EN 60947-5-2:2007+A1:2012

CFDK 30P1600/S14

Capacitive proximity sensors

Article number: 10238893

Dimension drawing



Connection diagram

