

Connector M23 (S2BG12), 10 m cable (ATD analog)

Article number: 11070180

Overview

- Shielded connection cable with M23-female connector (12-pin) and wire end sleeves
- Full allocation of all pins, suitable for all ATD with analogue output and D2SA12/D2SR12/H2SK12 connection



Technical data

Cable specifications

Material	Cable sheath: PUR black
Weight approx.	860 g
Cable length	10 m

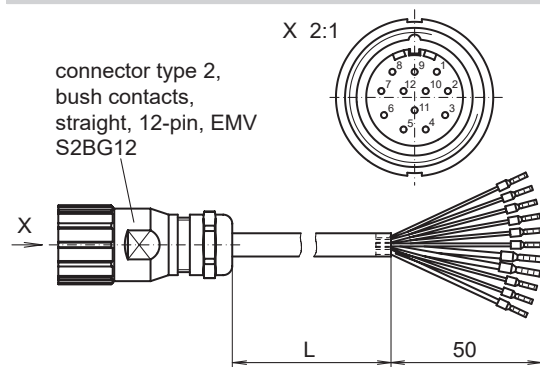
Cable specifications

Operating temperature	-40...+100 °C (fixed cable) -25...+100 °C (moved cable)
Outer diameter	≈ 7.5 mm
Connection	Connector M23, 12-pin

Terminal assignment

Connector S2BG12	Core colour
Pin 1	pink
Pin 2	blue
Pin 3	red
Pin 4	black
Pin 5	brown
Pin 6	green
Pin 7	yellow
Pin 8	grey
Pin 9	brown/white
Pin 10	white 0.5
Pin 11	white
Pin 12	brown 0.5
Housing/Shield	transparent

Dimensions



Suitable for

ATD 2A A 4 Y 7, ATD 2A B14 Y 1

