

Controlflex coupling (D1=12 / D2=12+M4)

For encoder with solid shaft

Article number: 10114825

Overview

- Precision coupling with 12 mm shaft pin and M4 thread
- Low restoring force and gentle on bearings
- Electrically insulating
- Easy to assemble



Technical data

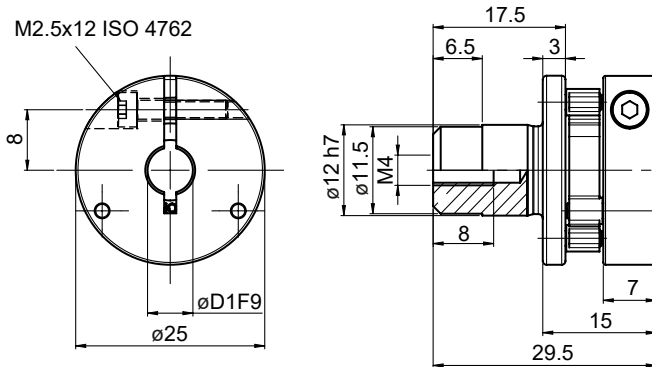
Technical data

| | |
|-----------------------|-----------------------------|
| Shaft diameter D1 | 12 mm |
| Shaft diameter D2 | 12 mm shaft pin + M4 thread |
| Operating speed | ≤22000 rpm |
| Operating temperature | -30...+80 °C |
| Moment of inertia | 16 gcm ² |
| Torsional rigidity | 37.3 Nm/rad |
| Maximum torque | 100 Ncm |

Technical data

| | |
|----------------------------------|--|
| Admissible axial movement | ± 0.016 mm |
| Admissible parallel misalignment | ± 0.7 mm |
| Admissible angular error | ± 1.5 ° |
| Weight approx. | 18 g |
| Material | Hub: aluminium Centre disc: plastic |

Dimensions

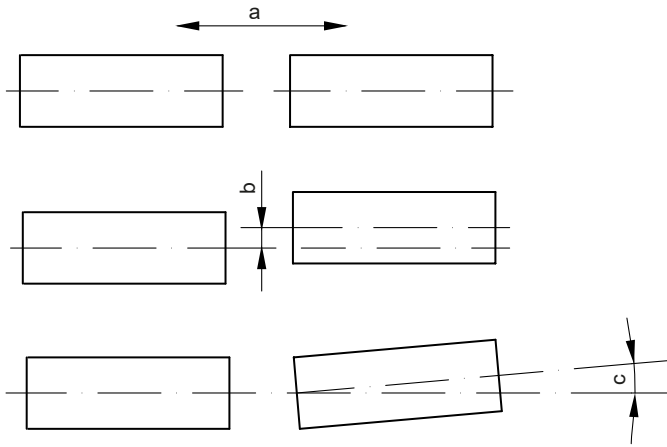


Controflex coupling (D1=12 / D2=12+M4)

For encoder with solid shaft

Article number: 10114825

Assembly drawing



a = Admissible axial movement
b = Admissible parallel misalignment
c = Admissible angular error