

Controflex coupling (D1=8 / D2=12+M4)

For encoder with solid shaft

Article number: 10114823

Overview

- Precision coupling with 12 mm shaft pin and M4 thread
- Low restoring force and gentle on bearings
- Electrically insulating
- Easy to assemble



Technical data

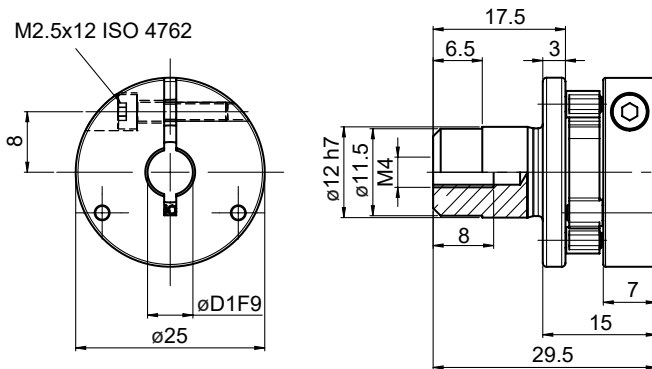
Technical data

Shaft diameter D1	8 mm
Shaft diameter D2	12 mm shaft pin + M4 thread
Operating speed	≤22000 rpm
Operating temperature	-30...+80 °C
Moment of inertia	16 gcm ²
Torsional rigidity	37.3 Nm/rad
Maximum torque	100 Ncm

Technical data

Admissible axial movement	± 0.016 mm
Admissible parallel misalignment	± 0.7 mm
Admissible angular error	± 1.5 °
Weight approx.	18 g
Material	Hub: aluminium Centre disc: plastic

Dimensions

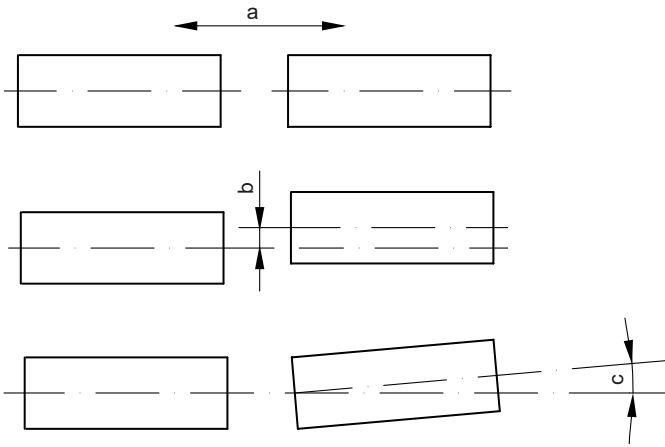


Controlflex coupling (D1=8 / D2=12+M4)

For encoder with solid shaft

Article number: 10114823

Assembly drawing



a = Admissible axial movement
b = Admissible parallel misalignment
c = Admissible angular error