

Overview

- +/- 10 V voltage output
- Analog force measurement with digital IO-Link interface
- Individual and application-specific parameterization



Technical data

General data

Output signal	± 10 VDC IO-Link
Non-linearity	< 0.01 %
Repeatability	< 0.01 %
Temperature effect zero	< 0.01 % / 10K

Mechanical data

Material housing	Aluminium, 6060, chem. passivated
Electrical connection on sensor side	M8, 4 pin, female
Electrical connection on control side	M12, 5 pin, male

Environmental conditions

Operating temperature range	-40 ... 85 °C
Storage temperature range	-40 ... 85 °C
Protection class EN 60529, ISO20653	IP 65
Vibration IEC 60068-2-6	10 ... 57 Hz: 1.5 mm p-p, 58 ... 2000 Hz: 10 g
Random IEC 60068-2-64	20 ... 1000 Hz: 0.1 g ² /Hz
Shock IEC 60068-2-27	50 g / 11 ms, 100 g / 6 ms

Electrical data

Supply voltage	18 ... 30 VDC
Current consumption	< 40 mA
Resolution ADC	24 bit
Sampling rate input	8 kS/s
Sampling rate output analog	8 kS/s
Cut-off frequency (3 db)	1 kHz
SNR @1.0 mV/V	> 75 dB
Short circuit protection	Yes
Reverse polarity protection	Yes

Electrical data

Max. Output range	± 11 VDC
Output current	< 100 mA

IO-Link interface

IO-Link version	1.1
IO-Link port type	Class A
Baud rate	230,4 kbaud (COM3)
Process data length	32 bit
Cycle time	≥ 1 ms
SIO-mode	Yes
Process data (cyclic)	Process Value Scale exponent SSC 1 SSC 2 Quality Alarm

IO-Link features

Parameterizable	Process input Unit (N, kg, µm/m) selectable Teach-in Offset/ Tare Correlation to known force Analog output signal Output range analog signal Alarm state analog signal Functions I/O's selectable
Additional functions	Low pass filter Peak value memory Sample and hold Two digital switching points (SSC) Remote operation
Additional data	Diagnostic data Error detection

Compliance and approvals

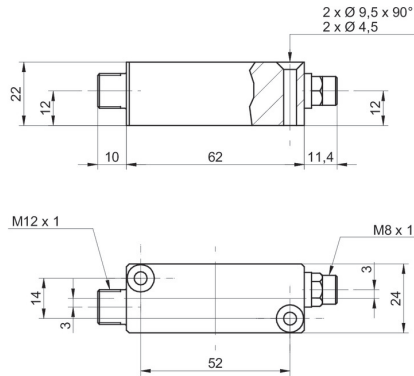
Conformity	CE UL
------------	----------

DAB10-AU

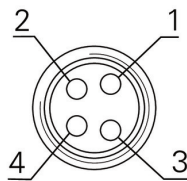
Measuring amplifier with voltage output and digital IO-Link interface

Article number: 11237418

Dimensional drawings (mm)

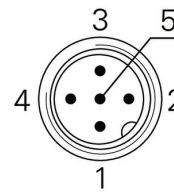


Electrical connection



- 1 +Vs
- 2 Sig +
- 3 -Vs
- 4 Sig -

Electrical connection on sensor side



- 1 +Vs / L+
- 2 Vout
- 3 0V / L-
- 4 C/Q
- 5 DI/DQ

Electrical connection on control side

Connection diagram

