

DAB11-B501U

Measuring amplifier for 1-1 replacement of DABU AD2T-2Q

Article number: 11238195

Overview

- For Strain Rings DSRC
- Voltage output



Technical data

General data

Output signal	± 10 VDC
Non-linearity	< 0.01 %
Zero point deviation	< 0.2 %
Repeatability	< 0.01 %

Mechanical data

Material housing	Aluminium, 6060, chem. passivated
Electrical connection on sensor side	M9, 4 pin, female
Electrical connection on control side	M12, 5 pin, male

Environmental conditions

Operating temperature range	-40 ... 85 °C
Storage temperature range	-40 ... 85 °C
Protection class EN 60529, ISO20653	IP 65
Vibration IEC 60068-2-6	10 ... 57 Hz: 1.5 mm p-p, 58 ... 2000 Hz: 10 g
Random IEC 60068-2-64	20 ... 1000 Hz: 0.1 g ² /Hz

Environmental conditions

Shock IEC 60068-2-27	50 g / 11 ms, 100 g / 6 ms
----------------------	----------------------------

Electrical data bridge

Bridge resistance	≥ 350 Ω
Signal area	500 µm/m
Power supply	2.5 VDC

Electrical data

Supply voltage	18 ... 30 VDC
Current consumption	< 40 mA
Cut-off frequency (3 db)	1000 Hz
Short circuit protection	Yes
Reverse polarity protection	Yes
Zero adjustment active	> 5 VDC
Zero adjustment inactive	< 1 VDC
Zero adjustment pulse	> 1 ms
Zero adjustment time	< 30 ms

Compliance and approvals

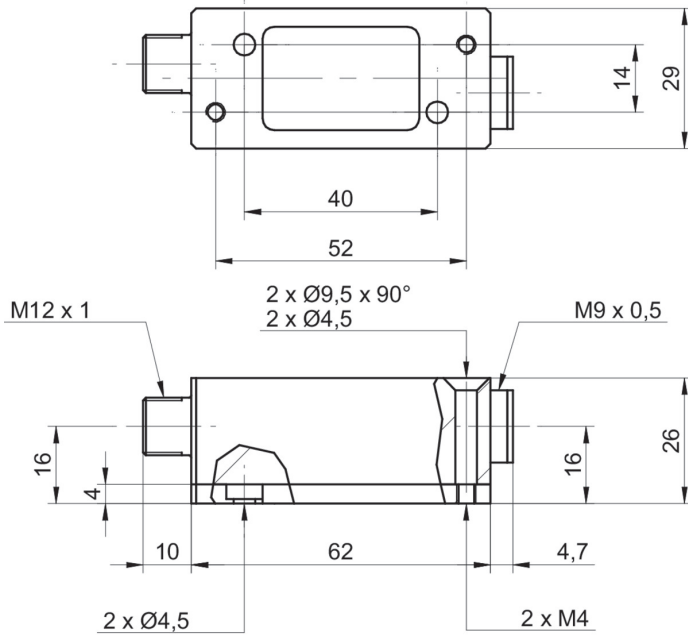
Conformity	CE UL
------------	----------

DAB11-B501U

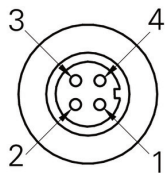
Measuring amplifier for 1-1 replacement of DABU AD2T-2Q

Article number: 11238195

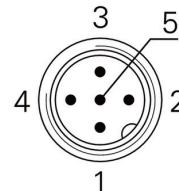
Dimensional drawings (mm)



Electrical connection



- 1 +Vs
- 2 Sig -
- 3 Sig +
- 4 -Vs



- 1 +Vs
- 2 -Vout
- 3 GND
- 4 +Vout
- 5 Tare