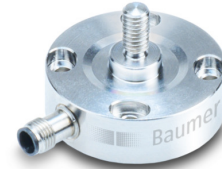


Overview

- Tension and compression load from 0 ... 100 N
- Non-linearity < 0.2 %
- Small outer diameter for limited space conditions
- Mounting possibility on both sides
- Sensor body made of stainless steel with protection class IP67
- Fully welded sensor design
- Durable with 100% working stroke



Technical data

General data

| | |
|-------------------------|---------------------------|
| Measuring range | 0 ... 100 N |
| Non-linearity | < 0.2 % |
| Repeatability | < 0.1 % |
| Temperature effect zero | < 0.2 % / 10K |
| Zero point deviation | < 20 % |
| Type | Screw-on |
| Mechanical mounting | 4 x M2 screws / M4 thread |

Mechanical data

| | |
|----------------------|-------------------------------|
| Overload | 150 % |
| Breaking load | 200 % |
| Fatigue strength | >10 Mio cycles at 0...100% FS |
| Nominal displacement | 16 µm |
| Weight | 23 g |
| Material sensor body | Stainless steel, 1.4542 |

Mechanical data

| | |
|-----------------------|-----------------|
| Electrical connection | M5, 4 pin, male |
|-----------------------|-----------------|

Electrical data

| | |
|--------------------------|----------------|
| Nominal sensitivity | 1 mV/V |
| Bridge resistance | 1000 Ω |
| Supply voltage | 0.5 ... 12 VDC |
| Signal polarity positive | Tension |

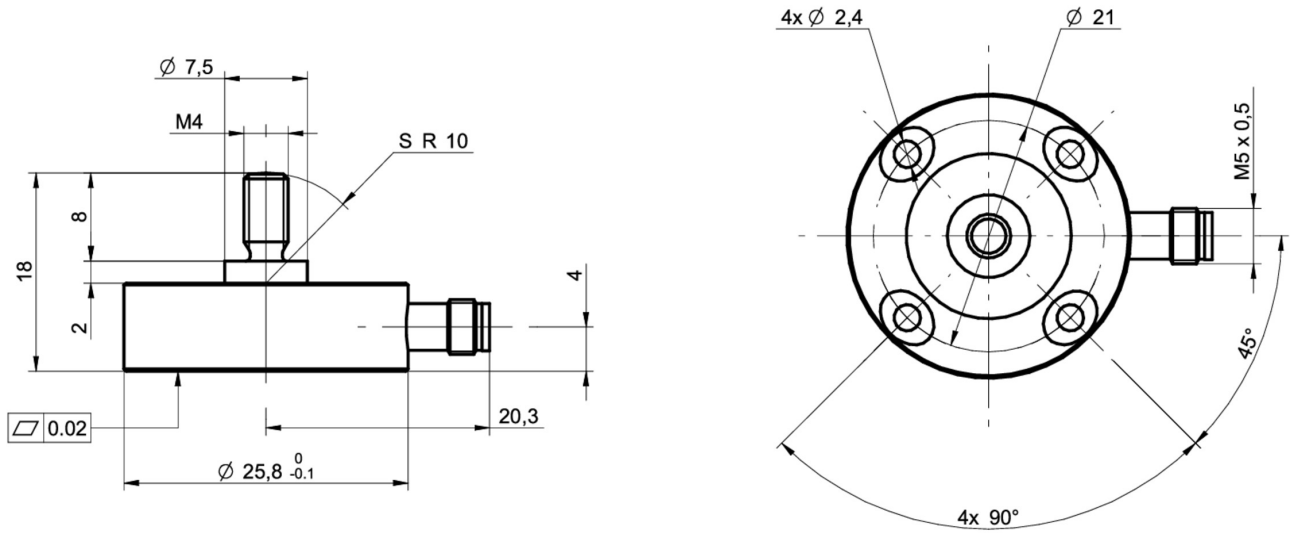
Environmental conditions

| | |
|-------------------------------------|---------------|
| Operating temperature range | -40 ... 85 °C |
| Storage temperature range | -40 ... 85 °C |
| Protection class EN 60529, ISO20653 | IP 67 |

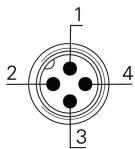
Compliance and approvals

| | |
|-----------|---------|
| UL listed | E217824 |
|-----------|---------|

Dimensional drawings (mm)



Electrical connection



- 1 +Vs
- 2 Sig +
- 3 -Vs
- 4 Sig -