

DLM20-SO

Compact screw-on load cells for industrial applications

DLM20-SO.###.TP3.M4

Overview

- Tension and compression load from 0 ... 1000 N
- Non-linearity < 0.2 %
- Small outer diameter for limited space conditions
- Mounting possibility on both sides
- Sensor body made of stainless steel with protection class IP67
- Fully welded sensor design
- Durable with 100% working stroke



Technical data

General data

Measuring range	0 ... 1000 N
Non-linearity	< 0.2 %
Repeatability	< 0.1 %
Temperature effect zero	< 0.2 % / 10K
Zero point deviation	< 20 %
Type	Screw-on
Mechanical mounting	4 x M2 screws / M4 thread

Electrical data

Nominal sensitivity	1 mV/V
Bridge resistance	1000 Ω
Supply voltage	0.5 ... 12 VDC
Signal polarity positive	Tension

Mechanical data

Overload	150 %
----------	-------

Mechanical data

Breaking load	200 %
Fatigue strength	>10 Mio cycles at 0...100% FS
Nominal displacement	16 μm
Weight	23 g
Material sensor body	Stainless steel, 1.4542
Electrical connection	M5, 4 pin, male

Environmental conditions

Operating temperature range	-40 ... 85 °C
Storage temperature range	-40 ... 85 °C
Protection class EN 60529, ISO20653	IP 67

Compliance and approvals

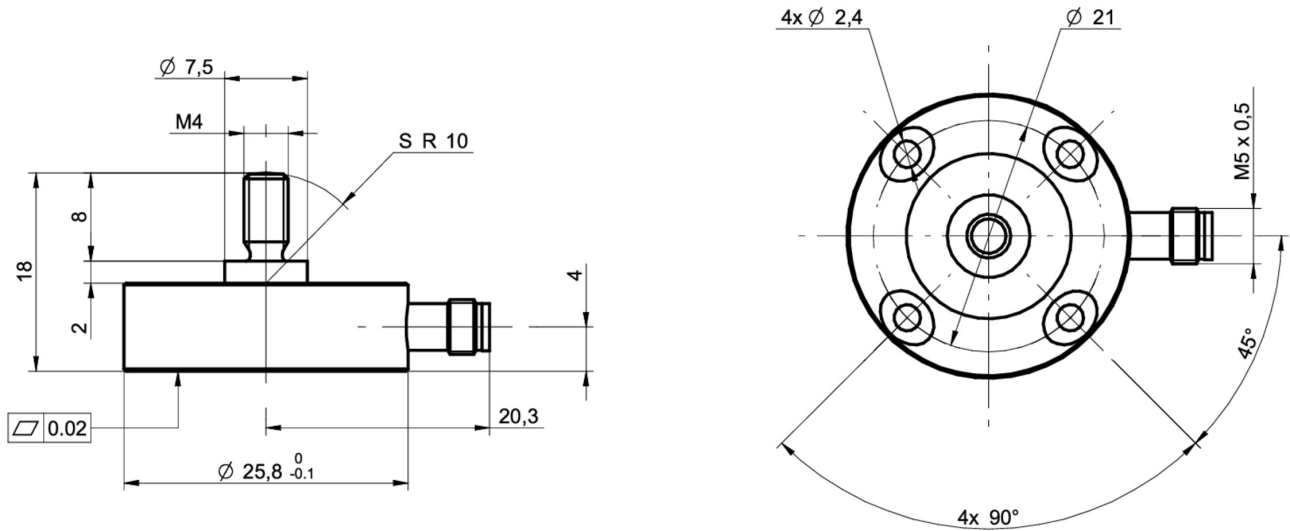
UL listed	E217824
-----------	---------

DLM20-SO

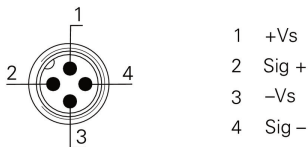
Compact screw-on load cells for industrial applications

DLM20-SO.###.TP3.M4

Dimensional drawings (mm)



Electrical connection



Ordering key - Configuration possibilities see website

	DLM	20	-	SO	.	###	.	T	P3	.	M4
Product group	Membrane force sensor										
	DLM										
Size category	20										
Type	Screw-on										
				SO							
Nominal force	50 N										
											500
											101
											201
											501
											102
Measuring direction positive	Tension										
											T
Output signal	Nominal sensitivity 1.00 mV/V										
											P3
Electrical connection	M5, 4 pin, male										
											M4