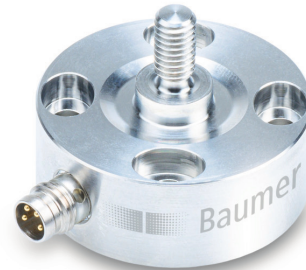


产品一览

- 拉压力测量范围：0...5,000 N
- 线性误差 < 0.2 %
- 可通过两端螺纹安装固定
- 传感器主体采用不锈钢制成，防护等级达IP68
- 全焊接设计
- 抗疲劳强度高，可承受相对振幅为100%的动态载荷



技术数据

基本参数

Measuring range	0 ... 5000 N
Non-linearity	< 0.2 %
Repeatability	< 0.1 %
Temperature effect zero	< 0.2 % / 10K
Zero point deviation	< 20 %
Type	Screw-on
Mechanical mounting	4 x M4 screws / M6 thread

电气参数

Nominal sensitivity	1 mV/V
Bridge resistance	1000 Ω
Supply voltage	0.5 ... 12 VDC
Signal polarity positive	Tension

机械参数

Overload	150 %
Breaking load	200 %

机械参数

Nominal displacement	21 μm
Weight	95 g
Material sensor body	Stainless steel, 1.4542
Fatigue strength	>10 Mio cycles at 0...100% FS
Electrical connection	M8, 4 pin, male

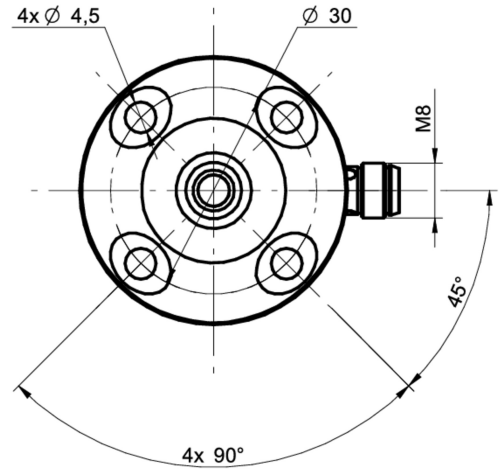
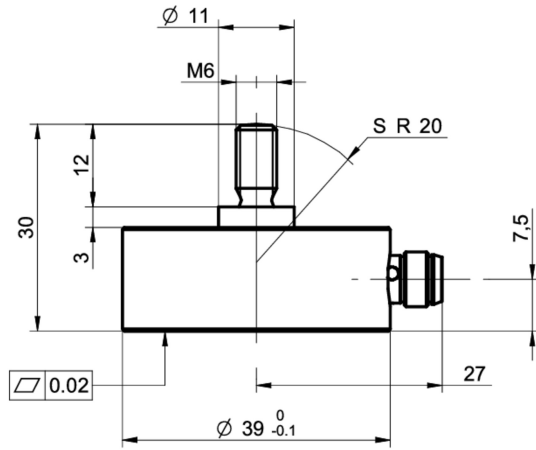
环境条件

Operating temperature range	-40 ... 85 °C
Storage temperature range	-40 ... 85 °C
Protection class EN 60529, ISO20653	IP 68

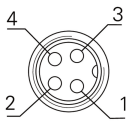
compliance and approvals

EMC	EN 61000-6-2 EN 61000-6-3 EN 61326-2-3
UL listed	E217824

Dimensional drawings (mm)



电气连接



- 1 +Vs
- 2 Sig +
- 3 -Vs
- 4 Sig -

订货代码 (配置选择参见网页)

	DLM	30	-	SO	.	###	.	T	P3	.	C4
Product group	Membrane force sensor										
Size category	30										
Type	Screw-on										
Nominal force	200 N										
	500 N										
	1 kN										
	2 kN										
	5 kN										
Measuring direction positive	Tension										
Output signal	Nominal sensitivity 1.00 mV/V										
Electrical connection	M8, 4 pin, male										