

DLM40-BU

Compact button load cells for industrial applications

DLM40-BU.###.CP3.C4

Overview

- Compression load till 20 kN
- Non-linearity < 0.2 %
- Sensor body made of stainless steel with protection class IP68
- Fully welded sensor design
- Durable with 100% working stroke



Technical data

General data

Measuring range	0 ... 20 kN
Non-linearity	< 0.2 %
Repeatability	< 0.1 %
Temperature effect zero	< 0.2 % / 10K
Zero point deviation	< 20 %
Type	Button
Mechanical mounting	4 x M3 screws / loose

Electrical data

Nominal sensitivity	1 mV/V
Bridge resistance	1000 Ω
Supply voltage	0.5 ... 12 VDC
Signal polarity positive	Compression

Mechanical data

Overload	150 %
----------	-------

Mechanical data

Breaking load	200 %
Fatigue strength	>10 Mio cycles at 0...100% FS
Nominal displacement	28 μm
Weight	100 g
Material sensor body	Stainless steel, 1.4542
Electrical connection	M8, 4 pin, male

Environmental conditions

Operating temperature range	-40 ... 85 °C
Storage temperature range	-40 ... 85 °C
Protection class EN 60529, ISO20653	IP 68

Compliance and approvals

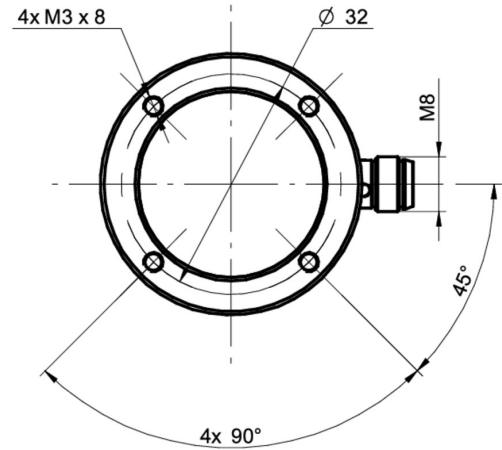
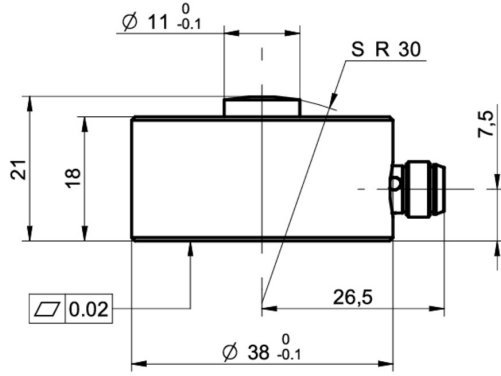
UL listed	E217824
-----------	---------

DLM40-BU

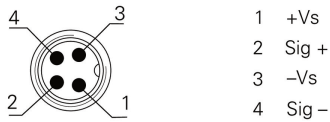
Compact button load cells for industrial applications

DLM40-BU.###.CP3.C4

Dimensional drawings (mm)



Electrical connection



Ordering key - Configuration possibilities see website

	DLM	40	-	BU	.	###	.	C	P3	.	C4
Product group	Membrane force sensor										
Size category	40										
Type	Button										
Nominal force	203										
2 kN	202										
5 kN	502										
10 kN	103										
20 kN	203										
Measuring direction positive	Compression										
Output signal	Nominal sensitivity 1.00 mV/V										
Electrical connection	M8, 4 pin, male										