

产品一览

- 拉压力测量范围高达20 kN
- 线性误差 < 0.2 %
- 安装方便 · 可通过传感器带外六角的一端拧紧
- 传感器主体采用不锈钢制成 · 防护等级达IP68
- 全焊接设计
- 抗疲劳强度高 · 可承受相对振幅为100%的动态载荷



技术数据

基本参数

Measuring range	0 ... 20 kN
Non-linearity	< 0.2 %
Repeatability	< 0.1 %
Temperature effect zero	< 0.2 % / 10K
Zero point deviation	< 20 %
Type	Inline
Mechanical mounting	M12 thread / M12 thread

电气参数

Nominal sensitivity	1 mV/V
Bridge resistance	1000 Ω
Supply voltage	0.5 ... 12 VDC
Signal polarity positive	Tension

机械参数

Overload	150 %
Breaking load	200 %
Nominal displacement	40 μm

机械参数

Weight	230 g
Material sensor body	Stainless steel, 1.4542
Fatigue strength	>10 Mio cycles at 0...100% FS
Electrical connection	M8, 4 pin, male

环境条件

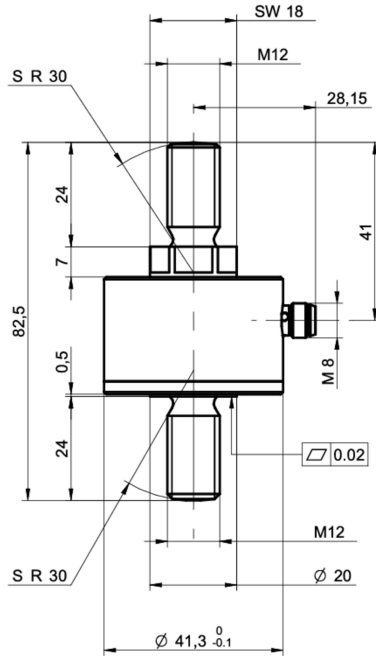
Operating temperature range	-40 ... 85 °C
Storage temperature range	-40 ... 85 °C

Protection class EN 60529, ISO20653	IP 68
-------------------------------------	-------

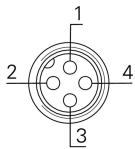
compliance and approvals

EMC	EN 61000-6-2
	EN 61000-6-3
	EN 61326-2-3
UL listed	E217824

Dimensional drawings (mm)



电气连接



- 1 +Vs
- 2 Sig +
- 3 -Vs
- 4 Sig -

订货代码 (配置选择参见网页)

	DLM	40	-	IN	.	###	.	T	P3	.	C4
Product group	DLM										
Membrane force sensor	DLM										
Size category	40										
40	40										
Type	IN										
Inline	IN										
Nominal force											
2 kN											202
5 kN											502
10 kN											103
20 kN											203
Measuring direction positive											
Tension											T
Output signal											
Nominal sensitivity 1.00 mV/V											P3
Electrical connection											
M8, 4 pin, male											C4