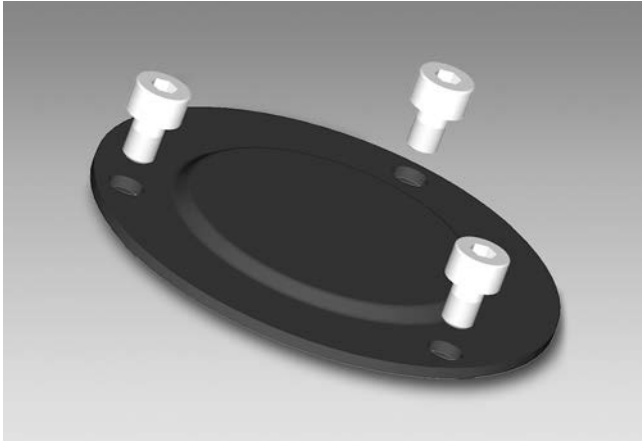


Accessories

Mounting accessories

Dust cap HS35



Features

- Fast and easy mounting on encoder backside.
- Prevents encoder bearing against dust, dirt and fluids. Sealing up to IP 67.

Part number

11075459 Dust cap HS35

Suitable for

HS35F, HS35P - Programmable, HS35S - *Sine*

Dimensions

