

EAM300-B - CANopen®

Blind hollow shaft

Magnetic single- or multiturn encoders 14 bit ST / 18 bit MT

Overview

- Encoder single- or multiturn / CANopen®
- Precise magnetic sensing
- Angular accuracy up to $\pm 0.15^\circ$
- High protection up to IP 67
- High resistance to shock and vibrations
- Electronic gear function
- Radial or axial plug and cable connection



Technical data

Technical data - electrical ratings

Voltage supply	10...30 VDC
Consumption typ.	20 mA (24 VDC, w/o load)
Initializing time	≤ 170 ms after power on
Data currency	< 1 ms
Interface	CANopen® CANopen®-Lift
Function	Multiturn Singleturn
Profile conformity	CANopen® CiA communication profile DS 301, LSS profile DSP 305, device profile DS 406, DS 417
Steps per revolution	≤ 16384 / 14 bit
Number of revolutions	≤ 262144 / 18 bit
Absolute accuracy	$\pm 0.15^\circ$ (+20 $\pm 15^\circ\text{C}$) $\pm 0.25^\circ$ (-40...+85 $^\circ\text{C}$)
Sensing method	Magnetic
Code sequence	CW: ascending values with clockwise sense of rotation; looking at flange
Output stages	CAN-Bus, LV (3.3 V) compatible ISO 11898
Interference immunity	EN 61000-6-2
Emitted interference	EN 61000-6-3 (cable length < 30 m, no connection to DC network) EN 61000-6-4

Technical data - electrical ratings

Approval UL approval / E217823

Technical data - mechanical design

Size (flange)	$\varnothing 30$ mm
Shaft type	$\varnothing 6$ mm (blind hollow shaft)
Protection EN 60529	IP 65 (without shaft seal) IP 67 (with shaft seal)
Operating speed	≤ 6000 rpm
Starting torque	≤ 0.75 Ncm (+20 $^\circ\text{C}$, IP 65) ≤ 1.1 Ncm (+20 $^\circ\text{C}$, IP 67)
Moment of inertia	0.71 gcm ²
Admitted shaft load	≤ 10 N axial ≤ 10 N radial
Material	Housing: steel zinc-coated Flange: aluminium Hollow shaft: stainless steel
Operating temperature	-40...+85 $^\circ\text{C}$ (see general information)
Relative humidity	95 %
Resistance	EN 60068-2-6 Vibration 30 g, 10-2000 Hz EN 60068-2-27 Shock 500 g, 1 ms
Weight approx.	130 g
Connection	Flange connector M12, 5-pin Cable 2 m

Optional

- Terminating resistor

EAM300-B - CANopen®

Blind hollow shaft

Magnetic single- or multiturn encoders 14 bit ST / 18 bit MT

General information

Self-heating interrelated to speed, protection, attachment method and ambient conditions as well electronics and supply voltage must be considered for precise thermal dimensioning. Self-heating is supposed to approximate 6 K (standstill) and additionally for movement 1.5 K per 1000 rpm (IP 65) or 3.5 K per 1000 rpm (IP 67). Operating the encoder close to the maximum limits requires measuring the real prevailing temperature at the encoder flange.

Terminal assignment

Cable

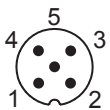
for connection reference **-L** and **-U**

Core colour	Signal
brown	+Vs
white	0 V
green	CAN_H
yellow	CAN_L
grey	CAN_GND
pink	n.c.
blue	n.c.
red	n.c.
Screen: connected to housing	
Cable data: 8 x 0.09 mm ²	

Flange connector M12, 5-pin

for connection reference **-N** and **-V**

Pin	Signal
1	CAN_GND
2	+Vs
3	0 V
4	CAN_H
5	CAN_L
Screen: connected to housing	



CANopen® features

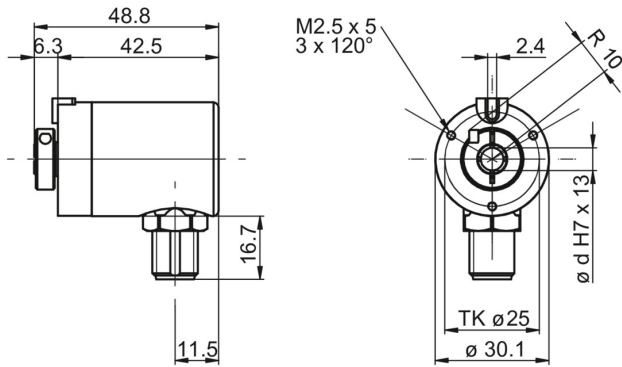
Operating modes	Timer-driven (Event-Time) Synchronously triggered (Sync)
Node Monitoring	Heartbeat Node guarding
Programmable parameters	Operating modes Total resolution Scaling Electronic gear function
Diagnosis	Multiturn sensing Position error Temperature exceeding Speed exceeding
Default	50 kbit/s, Node ID 1 (DS406) 250 kbit/s, Node ID 4 (DS417)

EAM300-B - CANopen®

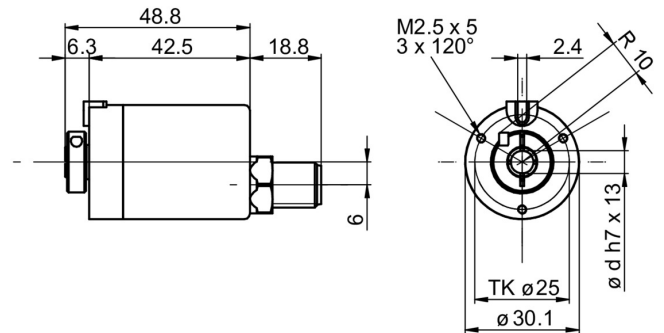
Blind hollow shaft

Magnetic single- or multitem encoders 14 bit ST / 18 bit MT

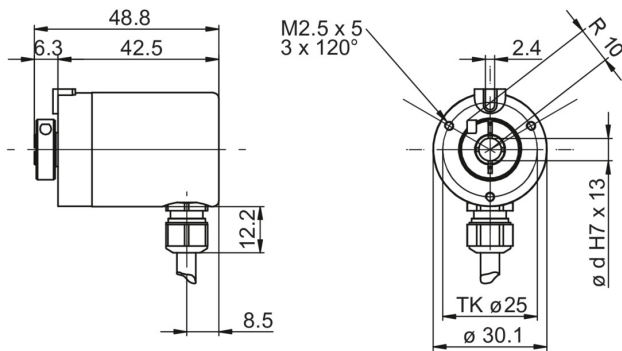
Dimensions



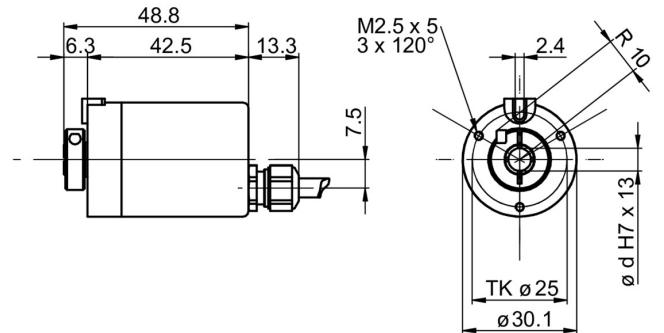
Flange connector M12, radial, IP 65



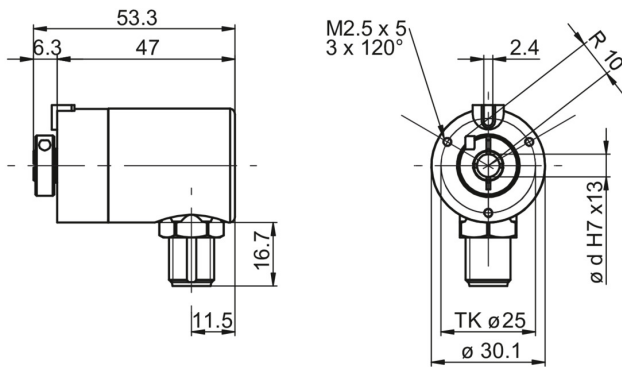
Flange connector M12, axial, IP 65



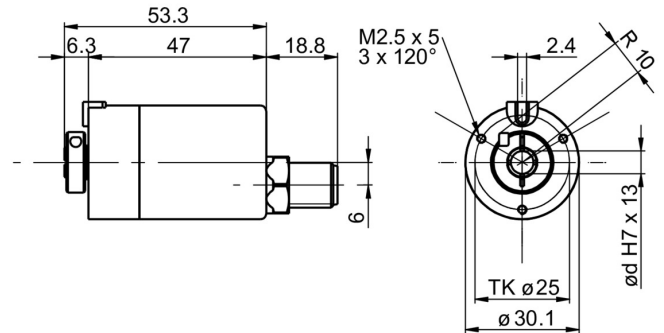
Cable, radial, IP 65



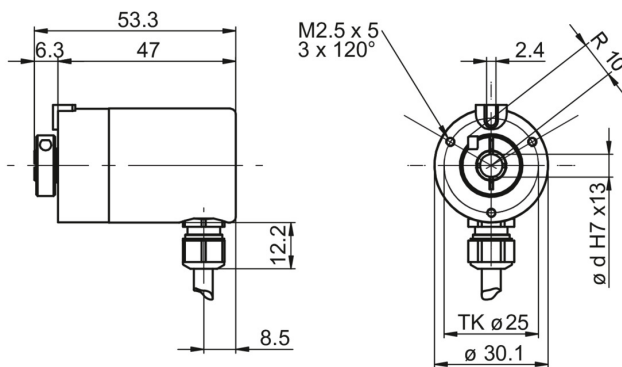
Cable, axial, IP 65



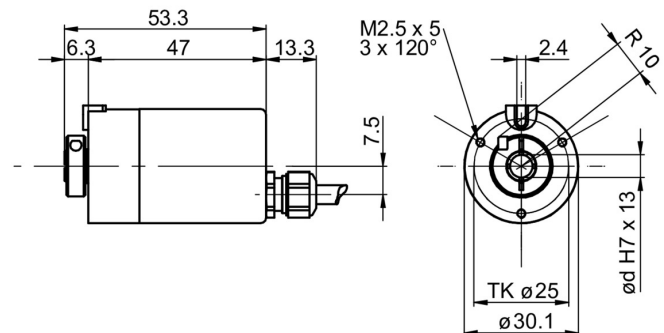
Flange connector M12, radial, IP 67



Flange connector M12, axial, IP 67



Cable, radial, IP 67



Cable, axial, IP 67

EAM300-B - CANopen®

Blind hollow shaft

Magnetic single- or multiturn encoders 14 bit ST / 18 bit MT

Ordering reference

	EAM300	-	B	#	6	.	#	#	##	.	14	##	0	.	A
Product	EAM300														
Shaft type	Blind hollow shaft		B												
Flange (Hollow shaft)	Without stator coupling			N											
	With stator coupling 36 mm			F											
Blind hollow shaft	ø 6 mm, clamping ring, A-side				6										
Protection class	IP 65														5
	IP 67														7
Connection	Cable radial, 2 m														L
	Flange socket radial, M12, 5-pin, male contacts, A-coded														N
	Cable axial, 2 m														U
	Flange socket axial, M12, 5-pin, male contacts, A-coded														V
Voltage supply / interface	10...30 VDC, CANopen (DS 406)														C6
	10...30 VDC, CANopen Lift (DS 417)														C7
Resolution Singleturn	14 Bit														14
Resolution Multiturn	No option														00
	18 Bit														18
Resolution supplement	No option														0
Operating temperature	-40...+85 °C														A

Accessories

Mounting accessories

10164796 Set of spring plate - EAM300