

EAM580-SY - EtherNet/IP

Solid shaft with synchro flange

Magnetic multiturn encoders 14 bit ST / 16 bit MT

Overview

- Encoder multiturn / EtherNet/IP
- Precise magnetic sensing
- Resolution max. 30 bit (14 bit ST, 16 bit MT)
- Angular accuracy up to $\pm 0.15^\circ$
- High protection up to IP 67
- High resistance to shock and vibrations
- LED status display



Technical data

Technical data - electrical ratings

Voltage supply	10...30 VDC
Consumption typ.	90 mA (24 VDC, w/o load)
Initializing time	≤ 10 s after power on
Interface	EtherNet/IP
Function	Multiturn
Steps per revolution	≤ 16384 / 14 bit
Number of revolutions	≤ 65536 / 16 bit
Absolute accuracy	$\pm 0.15^\circ$ (+20 $\pm 15^\circ$ C) $\pm 0.25^\circ$ (-40...+85 $^\circ$ C)
Sensing method	Magnetic
Interference immunity	EN 61000-6-2
Emitted interference	EN 61000-6-4
Status indicator	4x LED integrated in housing
Approval	UL approval / E217823

Technical data - mechanical design

Size (flange)	$\varnothing 58$ mm
Shaft type	$\varnothing 6 \times 10$ mm, solid shaft with flat
Flange	Synchro flange

Technical data - mechanical design

Protection EN 60529	IP 65 (without shaft seal) IP 67 (with shaft seal)
Operating speed	≤ 6000 rpm
Starting torque	≤ 2 Ncm (+20 $^\circ$ C, IP 65) ≤ 2.5 Ncm (+20 $^\circ$ C, IP 67)
Moment of inertia	15.38 gcm ²
Admitted shaft load	≤ 40 N axial ≤ 80 N radial
Material	Housing: steel zinc-coated Flange: aluminium Hollow shaft: stainless steel
Operating temperature	-40...+85 $^\circ$ C (see general information)
Relative humidity	95 %
Resistance	EN 60068-2-6 Vibration 30 g, 10-2000 Hz EN 60068-2-27 Shock 250 g, 6 ms
Weight approx.	360 g
Connection	Flange connector 3xM12

Optional

- Protection against corrosion CX (C5-M)

EAM580-SY - EtherNet/IP

Solid shaft with synchro flange

Magnetic multiturn encoders 14 bit ST / 16 bit MT

General information

Self-heating interrelated to speed, protection, attachment method and ambient conditions as well electronics and supply voltage must be considered for precise thermal dimensioning. Self-heating is supposed to approximate 6 K (IP 65 protection) respectively 12 K (IP 67 protection) per 1000 rpm. Operating the encoder close to the maximum limits requires measuring the real prevailing temperature at the encoder flange.

Terminal assignment

Voltage supply

Pin	Assigned	Significance
1	+Vs	Voltage supply
2	d.u.	Do not connect
3	0 V	Ground
4	d.u.	Do not connect



1 x flange connector M12 (male), A-coded

EtherNet/IP (data line)

Pin	Assigned	Significance
1	TxD+	Transmission data+
2	RxD+	Receiving data+
3	TxD-	Transmission data-
4	RxD-	Receiving data-



2 x flange connector M12 (female), D-coded

EtherNet/IP features

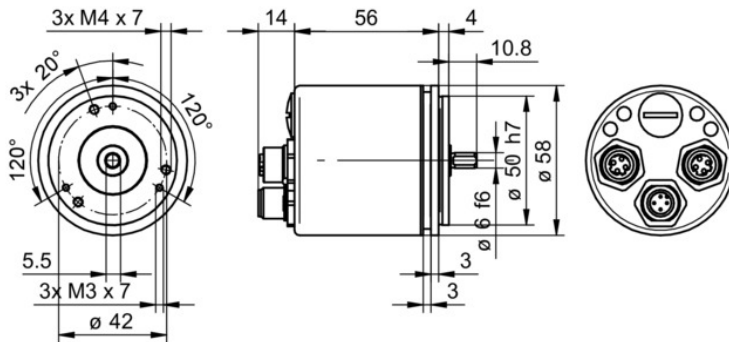
Bus protocol	EtherNet/IP
Device profile	CIP Nov 2016, 22 _{hex} Encoder
Cycle time	1 ms
Features	<ul style="list-style-type: none"> - Gear factor (round shaft) and endless loop mode - Plausibility check of the adjustable parameters - Comprehensive diagnostic functions - Address Conflict Detection - Device Level Ring - Multiple simultaneous IO connections
LED status indicator	2x Link/Activity, Module Status, Network Status

EAM580-SY - EtherNet/IP

Solid shaft with synchro flange

Magnetic multiturn encoders 14 bit ST / 16 bit MT

Dimensions



EAM580-SY - EtherNet/IP

Solid shaft with synchro flange

Magnetic multiturn encoders 14 bit ST / 16 bit MT

Ordering reference

	EAM580	-	S	Y	6	.	#	Y	EN	.	14	16	0	.	A
Product	EAM580														
Shaft type	Solid shaft		S												
Flange (shaft)	Synchro flange, centering collar ø50 x 4 mm, flute ø53 mm, pitch circle diameter ø42 - 3xM3/3xM4			Y											
Shaft	ø6 x 10 mm, with flat				6										
Protection class	IP 65							5							
	IP 67							7							
Connection	Flange socket axial M12, 4-pin, female contacts, CW, 1 x M12, 4-pin, male contacts, CCW								Y						
Voltage supply / interface	10...30 VDC, EtherNet/IP									EN					
Resolution Singleturn	14 Bit											14			
Resolution Multiturn	16 Bit												16		
Resolution supplement	No option													0	
Operating temperature	-40...+85 °C														A

Accessories

Mounting accessories

10252773	Clamp set ø15 mm
11050507	Bellows coupling (D1=06 / D2=10)
11065922	Coupling CPS25 (L=19, D1=10 / D2=06)
11065916	Coupling CPS25 (L=19, D1=06 / D2=06)
10141132	Spring washer coupling (D1=6 / D2=10)
10141131	Spring washer coupling (D1=6 / D2=6)
11069333	Coupling CPS37 (L=24, D1=06 / D2=06)
11069337	Coupling CPS37 (L=24, D1=10 / D2=06)
10117667	Mounting adaptor