

EIL580-SCU3.5RE.01024.A

Solid shaft with clamping flange, 1024 pulses per revolution

Article number: 11251887

Overview

- Size ø58 mm
- Precise optical sensing
- Output signal level TTL
- Clamping flange
- Connection radial
- 1024 pulses per revolution
- High protection IP 65
- High resistance to shock and vibrations



Technical data

Technical data - electrical ratings

Voltage supply	5 VDC ±5 %
Reverse polarity protection	Yes
Short-circuit proof	Yes (TTL, max. 1 s and 1 signal)
Consumption w/o load	≤70 mA
Pulses per revolution	1024
Phase shift	90 ° ±10°
Duty cycle	40...60 %
Reference signal	Zero pulse, width 90° ±10 %
Sensing method	Optical
Output frequency	≤300 kHz (TTL)
Output signals	A+, B+, R+, A-, B-, R-
Output stages	TTL/RS422
Interference immunity	EN 61000-6-2
Emitted interference	EN 61000-6-3
Approval	UL 508 / CSA 22.2

Technical data - mechanical design

Size (flange)	ø58 mm
---------------	--------

Technical data - mechanical design

Shaft type	ø3/8" x 4/5" (ø9.525 x 20.32 mm), solid shaft with flat
Admitted shaft load	≤40 N axial ≤80 N radial
Flange	Clamping flange
Protection EN 60529	IP 65 (without shaft seal)
Operating speed	≤12000 rpm (+20 °C, IP 65)
Starting torque	≤0.015 Nm (+20 °C, IP 65)
Material	Housing: aluminium die-cast Flange: aluminium Solid shaft: stainless steel
Operating temperature	-40...+85 °C
Relative humidity	90 % non-condensing
Resistance	EN 60068-2-6 Vibration 30 g, 10-2000 Hz EN 60068-2-27 Shock 300 g, 6 ms
Connection	Cable
Weight approx.	300 g

Terminal assignment

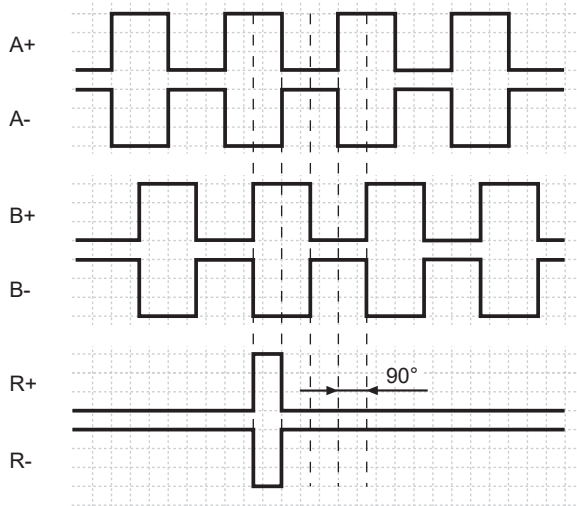
Cable (cable PVC [4x2x0.14 mm²])

Core colour	Assignment
green	A+
yellow	A-
grey	B+
pink	B-
blue	R+
red	R-
brown	UB
white	GND

Screen: Connected to housing

Output signals

Clockwise rotating direction when looking at flange.



Trigger level

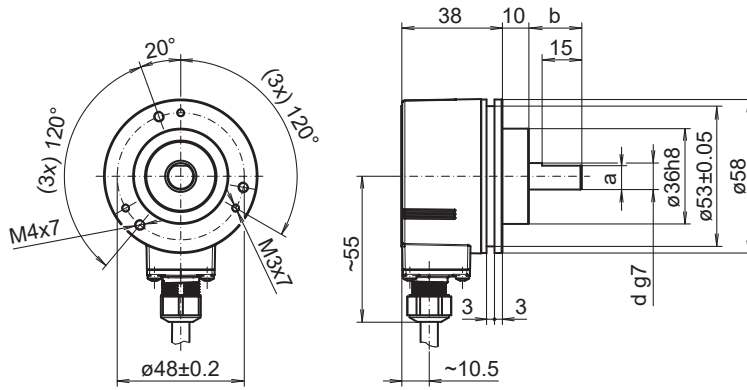
Outputs	TTL/RS422
Output level High	≥ 2.5 V
Output level Low	≤ 0.5 V
Load	≤ 20 mA

EIL580-SCU3.5RE.01024.A

Solid shaft with clamping flange, 1024 pulses per revolution

Article number: 11251887

Dimensions



Clamping flange, cable, radial

d g7	a	b
$\phi 9.525$	8.64	20.32
$\phi 10$	9.	20

Accessories**Mounting accessories**

11065915	Coupling CPS25 (L=19, D1=04 / D2=10)
11065918	Coupling CPS25 (L=19, D1=07 / D2=10)
11065920	Coupling CPS25 (L=19, D1=08 / D2=10)
11065921	Coupling CPS25 (L=19, D1=09 / D2=10)
11065922	Coupling CPS25 (L=19, D1=10 / D2=06)
11065923	Coupling CPS25 (L=19, D1=10 / D2=10)
11065924	Coupling CPS25 (L=19, D1=10 / D2=11)
11065925	Coupling CPS25 (L=19, D1=10 / D2=12)
10141132	Spring washer coupling (D1=6 / D2=10)
10141133	Spring washer coupling (D1=10 / D2=10)
11034138	Spring washer coupling (D1=10 / D2=16)
11034140	Spring washer coupling (D1=10 / D2=14)
11034141	Spring washer coupling (D1=10 / D2=12)
11050507	Bellows coupling (D1=06 / D2=10)
11101781	Double loops coupling (D1=10 / D2=10)
10125051	Mounting adaptor
11065545	Set of eccentric fixings type A
11101893	Spring encoder arm