

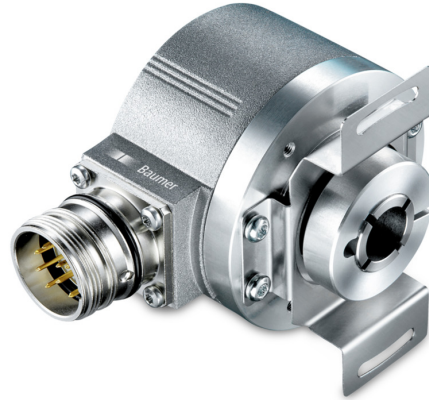
EIL580P-BT12.5EF.01024.B

With blind hollow shaft, flange connector M23 CW, 1...65536 pulses per revolution programmable (interpolated system)

Article number: 11259804

Overview

- Size $\varnothing 58$ mm
- Precise optical sensing (interpolated)
- Output signal level programmable (TTL or HTL)
- Blind hollow shaft, $\varnothing 12$ mm
- Connection flange connector M23 CW radial
- Pulses per revolution 1...65536, programmable
- High protection IP 65
- High resistance to shock and vibrations



Technical data

Technical data - electrical ratings

Voltage supply	4.75...30 VDC
Reverse polarity protection	Yes
Short-circuit proof	Yes
Consumption w/o load	≤ 70 mA
Initializing time	≤ 30 ms after power on
Pulses per revolution	1 ... 65536
Duty cycle	45...55 % typical at 1024, 2048 ppr (further see table Duty cycle)
Reference signal	Zero pulse 90° or 180°
Sensing method	Optical
Output frequency	≤ 300 kHz (TTL) ≤ 160 kHz (HTL)
Output signals	A+, B+, R+, A-, B-, R-
Output stages	TTL/RS422 HTL/push-pull
Programmable parameters	Output level TTL/HTL Pulse number 1...65536 Zero pulse width $90^\circ/180^\circ$ Zero pulse position Signal sequence

Technical data - electrical ratings

Interference immunity	EN 61000-6-2
Emitted interference	EN 61000-6-3
Approval	UL 508 / CSA 22.2

Technical data - mechanical design

Size (flange)	$\varnothing 58$ mm
Shaft type	$\varnothing 12$ mm (blind hollow shaft)
Protection EN 60529	IP 65 (without shaft seal)
Operating speed	≤ 8000 rpm (+20 °C, IP 65)
Starting torque	≤ 0.02 Nm (+20 °C, IP 65)
Material	Housing: aluminium die-cast Flange: aluminium
Operating temperature	$-40...+100$ °C
Relative humidity	90 % non-condensing
Resistance	EN 60068-2-6 Vibration 30 g, 10-2000 Hz EN 60068-2-27 Shock 250 g, 6 ms
Connection	Flange connector M23, 12-pin
Weight approx.	300 g

EIL580P-BT12.5EF.01024.B

With blind hollow shaft, flange connector M23 CW, 1...65536 pulses per revolution programmable (interpolated system)

Article number: 11259804

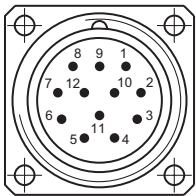
Terminal assignment

Flange connector M23, 12-pin, clockwise (CW)

Pin	Assignment
1	B-
2	-
3	R+
4	R-
5	A+
6	A-
7	R-Set ¹⁾
8	B+
9	-
10	GND
11	-
12	UB

¹⁾The R-Set input is used to set the reference pulse (zero pulse) on the current shaft position.

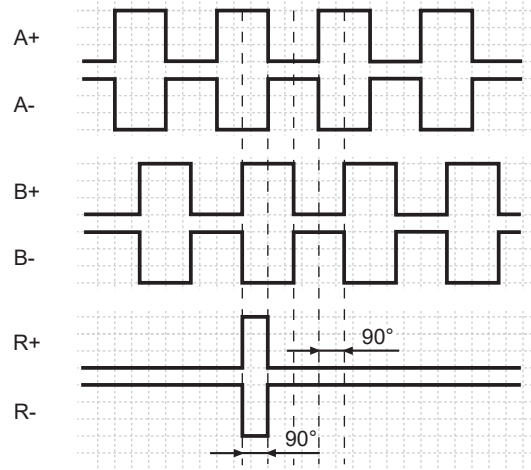
R-Set = UB ≥ 200 ms



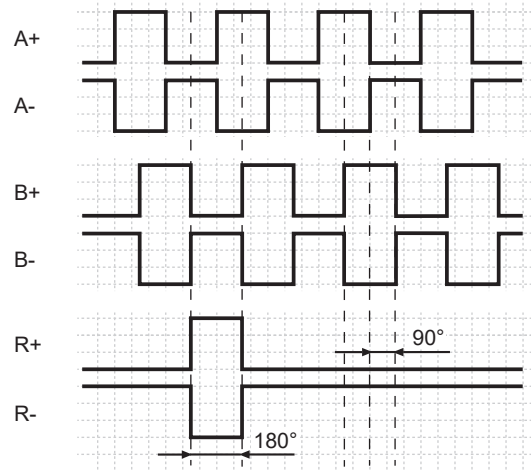
Flange connector M23, pin contacts, 12-pin, clockwise (CW)

Output signals

Zero pulse electrical 90° A&B high
(Factory setting at clockwise rotation (CW)
in view of the encoder flange)



Zero pulse electrical 180° B low
(at clockwise rotation (CW)
in view of the encoder flange)



Trigger level

Outputs	TTL/RS422
Output level High	≥2.5 V
Output level Low	≤0.5 V
Load	≤20 mA

Outputs	HTL/Push-pull
Output level High	≥UB -3 V
Output level Low	≤1.5 V
Load	≤20 mA

EIL580P-BT12.5EF.01024.B

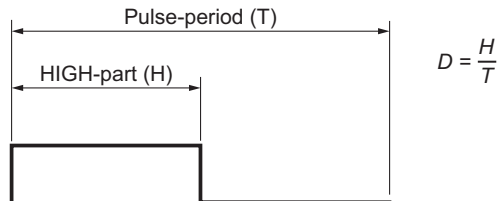
With blind hollow shaft, flange connector M23 CW, 1...65536 pulses per revolution programmable (interpolated system)

Article number: 11259804

Duty cycle

The duty cycle (D) is defined as the time ratio between the HIGH pulse duration (H) and the pulse period (T).

System-induced and depending on the pulse number, the measured values may vary which has an impact on speed and position acquisition. Binary pulse numbers are recommended for speed feedback.



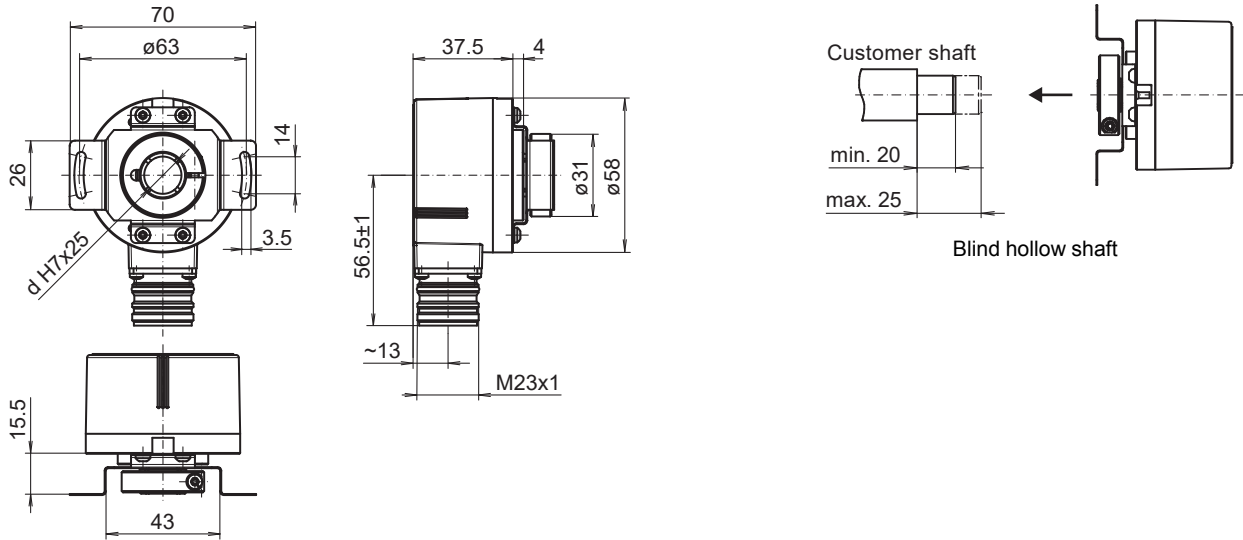
Programmed pulse number	Scan ratio (D) (maximum)	Jitter (+/-) (maximum)
1...1023	45...55 %	5%
1024, 2048	45...55 %	5%
1025...5000	40...60 %	10%
8192, 16384	35...85 %	15%
5001...10000	22...78 %	28%
32768	25...75 %	25%
65536	15...85 %	35%
all other	Jitter[%]=(programmed pulse number -10000)*0,0007%+28%	

EIL580P-BT12.5EF.01024.B

With blind hollow shaft, flange connector M23 CW, 1...65536 pulses per revolution programmable (interpolated system)

Article number: 11259804

Dimensions



Clamping ring at A-side: Blind hollow shaft, flange connector M23 radial

EIL580P-BT12.5EF.01024.B

With blind hollow shaft, flange connector M23 CW, 1...65536 pulses per revolution programmable (interpolated system)

Article number: 11259804

Accessories

Mounting accessories

11066083	Torque arm, 1-arm (mounting kit 006)
11073119	Torque arm, 1-arm (mounting kit 021)
11067367	Torque arm, 1-arm (mounting kit 028)
11100198	Stator coupling, 2-armed (mounting kit 046)
11113210	Torque arm, 1-arm (mounting kit 047)
11124300	Torque arm, 1-arm (mounting kit 048)
11155325	Rigid mounting plate, 1-arm (mounting kit 099)
11106627	Fan cover clip 8 mm
11094674	Clamping ring 12/31/ 8 M3 8.8
11094675	Clamping ring 17/31/ 8 M3 8.8
11116921	Insulating sleeve \varnothing 10 mm/ \varnothing 12 mm/25 mm long
11116923	Insulating sleeve \varnothing 12 mm/ \varnothing 14 mm/25 mm long

Programming accessories

11120657	Handheld Programming Tool Z-PA-EI-H
11120547	PC Programming Tool Z-PA-EI-P
11222569	Connection cable connector M23 (CCW) / connector D-SUB, 0.2 m
11222570	Connection cable connector M23 (CCW) / connector D-SUB, 1 m