

EN580E.ML-SU06.G\$\$1G.13120.H/11250119

Solid shaft with synchro flange, optical multiturn encoders 13 bit ST / 12 bit MT, SSI

Article number: 11250119

Overview

- Absolute encoder multiturn
- Optical sensing method
- Resolution: singleturn 13 bit, multiturn 12 bit
- Synchro flange
- Maximum resistant against magnetic fields
- Connection: flange connector M23, 12-pin, CW (assignment according to option 3252)



Technical data

Technical data - electrical ratings

Voltage supply	8...30 VDC
Reverse polarity protection	Yes
Short-circuit proof	Yes
Consumption w/o load	≤80 mA (24 VDC)
Interface	SSI
Function	Multiturn
Steps per revolution	8192 / 13 bit
Number of revolutions	4096 / 12 bit
Absolute accuracy	±0.03 °
Sensing method	Optical
Code	Gray
Code sequence	CW: ascending values with clockwise sense of rotation; looking at flange
Input signals	SSI clock Zero setting input Counting direction
Output stages	SSI data: Linedriver RS422
Output signals	SSI data
Interference immunity	EN 61000-6-2
Emitted interference	EN 61000-6-4

Technical data - electrical ratings

Approval	UL Class 2
Technical data - mechanical design	
Size (flange)	ø58 mm
Shaft type	ø6 x 10 mm, solid shaft with flat
Flange	Synchro flange
Protection EN 60529	IP 54 (flange side) IP 65 (housing side)
Operating speed	≤6000 rpm (+25 °C)
Starting torque	≤0.02 Nm
Admitted shaft load	≤40 N axial ≤80 N radial
Material	Housing: aluminium Shaft: stainless steel
Operating temperature	-25...+85 °C (see general information)
Relative humidity	95 % non-condensing
Resistance	EN 60068-2-6 Vibration 30 g, 10-2000 Hz EN 60068-2-27 Shock 100 g, 6 ms
Weight approx.	400 g
Connection	Flange connector M23, 12-pin, CW (option 3252)

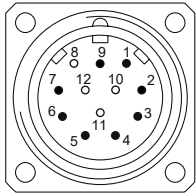
General information

Self-heating correlated to installation and ambient conditions as well as to electronics and supply voltage must be considered for precise thermal dimensioning. Operating the encoder close to the maximum limits requires measuring the real prevailing temperature at the encoder flange.

Terminal assignment

Flange socket M23, 12-pin, male contact, CW (assignment according to option 3252)

Pin	Assignment
1	+Vs
2	0 V
3	Clock+
4	Data+
5	SET
6	Data-
7	Clock-
8	-
9	DIR
10	-
11	-
12	-

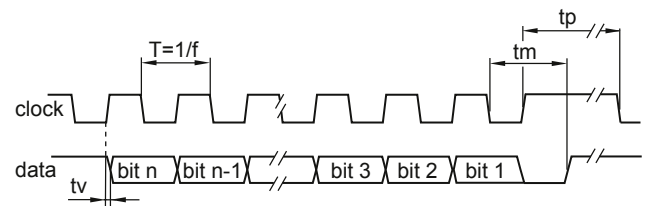


Trigger level

SSI	Circuit
SSI-Clock	RS422 with terminating resistor 120 Ω
SSI-Data	RS422

Control inputs	Input circuit
Input level High	>0.7 UB
Input level Low	<0.3 UB
Input resistance	10 kΩ

Data transfer



Clock frequency f	80...2000 kHz
Delay time tv	70 ns (RL = 120 Ohm)
Monoflop time tm	16 ... 24 μs + T/2
Clock interval tp	30 μs

Terminal significance

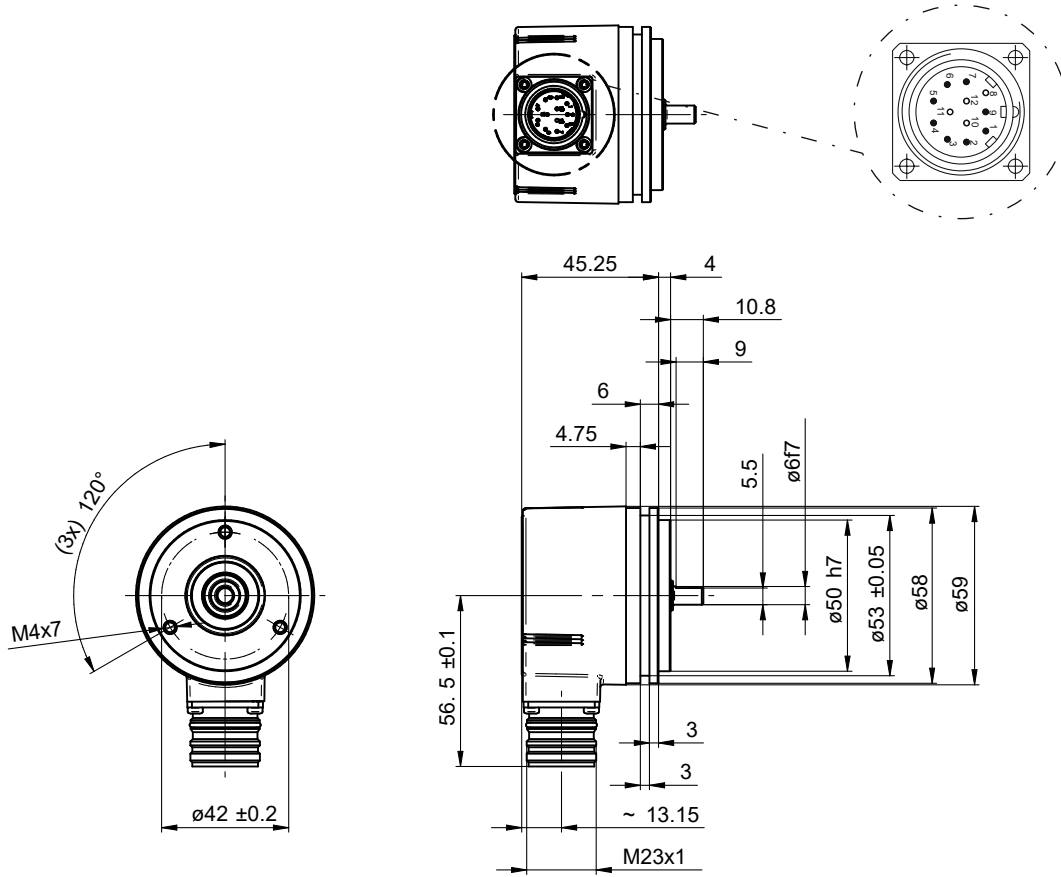
SET	Zero setting input. Input for zero setting at any position. The zero setting operation is triggered by a high pulse and has to be in line with the selected direction of rotation (DIR). Impulse duration >100 ms. Connect to 0 V after zero setting for maximum interference immunity.
DIR	Counting direction input. This input is standard on high. DIR-High means ascending output data with clockwise shaft rotation when looking at flange. DIR-Low means ascending values with counterclockwise shaft rotation when looking at flange. For maximum interference immunity connect to +Vs respectively 0 V depending on counting direction.

EN580E.ML-SU06.G\$\$1G.13120.H/11250119

Solid shaft with synchro flange, optical multiturn encoders 13 bit ST / 12 bit MT, SSI

Article number: 11250119

Dimensions



Accessories**Mounting accessories**

11050507	Bellows coupling aluminium/stainless steel D1=06 / D2=10
11065922	Coupling CPS25 L=19 d1=10/d2=06
11065916	Coupling CPS25 L=19 d1=06/d2=06
10141132	Spring washer coupling D1=6 / D2=10
10141131	Spring washer coupling D1=6 / D2=6
11069333	Coupling CPS37 L=24 d1=06/d2=06
11069337	Coupling CPS37 L=24 d1=10/d2=06
11065545	Set of eccentric fixings type A
10117667	Mounting adaptor for encoders with synchro flange (Z 119.015)