

Overview

- M8, female, A-coded; 4-poles; TPE, 200 cm, free cable end
- Dragchain capable, suitable for robotics, suitable for food & beverage
- Head A: IP65, IP66K, IP67, IP69
- Cable: Good resistance against chemicals, flames and oils
- Halogen free



Technical data

Side A

| | |
|------------------------------|-----------------------|
| Head A: Connection | M8 |
| Head A: Angle cable outlet | 0° |
| Head A: Gender | Female |
| Head A: Coding | A |
| Head A: No. of poles | 4 |
| Head A: Tightening torque | 0.6 Nm |
| Head A: Knurled nut material | Stainless steel (V4A) |
| Head A: Gasket material | EPDM |

Side B

| | |
|--------------------|------------------|
| Head B: Connection | Open-ended wires |
|--------------------|------------------|

Cables

| | |
|---------------------------|----------------------|
| Cable length | 200 cm |
| Stripping length | 0 mm |
| Conductor structure | 42 × 0.1 mm |
| AWG | 22 |
| External sheath: Material | TPE |
| External sheath: Color | Gray |
| Cable diameter | 4.6 mm ± 5% |
| Wire cross section | 0.34 mm ² |

Cable

| | |
|-----------------------------------|--------------------------|
| Cable: Temperature range (mobile) | - 40 ...+ 105 °C |
| Cable: Temperature range (fixed) | - 25 ...+ 105 °C |
| Bending radius (fixed) | 23 mm |
| Cable length | 200 cm |
| Acceleration (C-track) | ≤ 10 m/s ² |
| AWG | 22 |
| Bending radius (fixed) | min. 5 × outer diameter |
| Bending radius (mobile) | min. 10 × outer diameter |
| Conductor structure | 42 × 0.1 mm |
| Cable diameter | 4.6 mm ± 5% |
| Insulation resistance | ≥ 1000000 Ohm |

Cable

| | |
|---------------------------------|----------------------|
| Conductor: Material | Copper, bare |
| External sheath: Material | TPE |
| Insulation: Material | TPE |
| No. of bending cycles (C-track) | ≥ 4000000 Cycles |
| Nominal voltage | 240 V |
| Cable: Test voltage | 2000 V 0 |
| Travel speed (C-track) | ≤ 3 m/s |
| Traversing path (horizontal) | ≤ 10 m |
| Wire cross section | 0.34 mm ² |
| External sheath: Color | Gray |

Electrical data

| | |
|-------------------------------|----------|
| Operating voltage | 240 V |
| Nominal voltage | 240 V |
| Contact resistance | ≤ 5 mOhm |
| Operating current per contact | max. 4 A |

Mechanical data

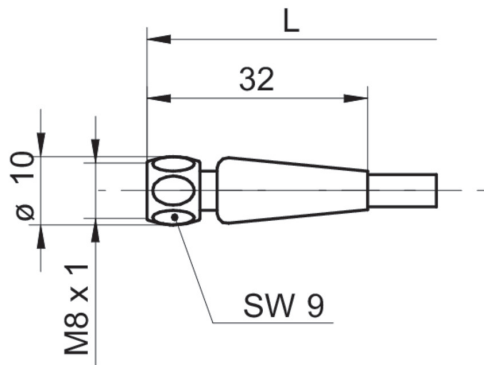
| | |
|---------------------------------|--------------------------|
| Head A: Degree of protection | IP65, IP67, IP68, IP69 |
| Bending radius (mobile) | min. 10 × outer diameter |
| Bending radius (fixed) | min. 5 × outer diameter |
| No. of bending cycles (C-track) | ≥ 4000000 Cycles |
| Acceleration (C-track) | ≤ 10 m/s ² |
| Travel speed (C-track) | ≤ 3 m/s |

Environmental conditions

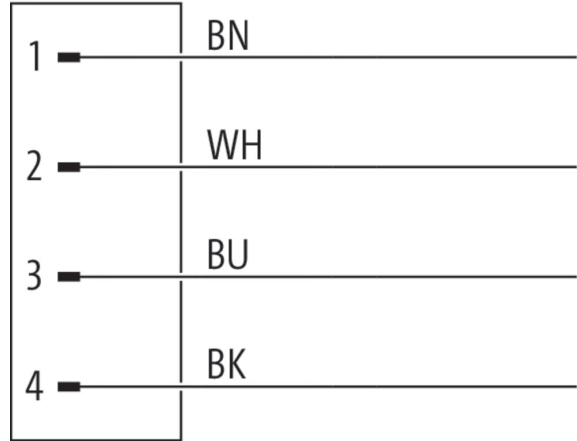
| | |
|----------------------------------|------------------|
| Temperature range (mobile) | - 25 ...+ 105 °C |
| Temperature range (fixed) | - 40 ...+ 105 °C |
| Cable: Temperature range (fixed) | - 25 ...+ 105 °C |
| Dragchain capable | Yes |
| Head A: Pollution degree | 3 |
| Cable: Chemical resistance | Good |

Side A

Technical drawing



Connection diagram



Coding

